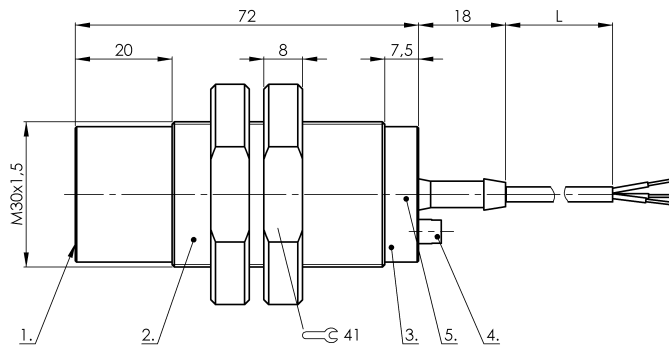
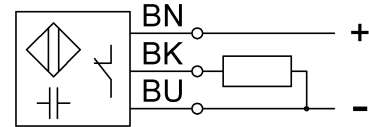


# SK1-30-M30-PNBO-CPTFE CS0078



Wiring Diagram



1) Sensing surface 2) Housing 3) Cover 4) Potentiometer 5) LED function indicator



## Electrical connection

Cable length	2 m
Conductor cross-section	0.20 mm <sup>2</sup>
Connection type	Cable, 2.00 m, PTFE
Number of conductors	3
Polarity reversal protected	yes
Short-circuit protection	yes

## Electrical data

Hysteresis H max. (% of Sr)	10.0 %
MTTF (40 °C)	262 a
Operating voltage U <sub>b</sub>	10...35 VDC
Protected against miswiring	yes
Rated insulation voltage U <sub>i</sub>	75 V DC
Rated operating current I <sub>e</sub> DC	300 mA
Repeat accuracy max. (% of Sr)	2.0 %
Switching frequency	100 Hz
Utilization category	DC -13
Voltage drop static max.	1.5 V

## Environmental conditions

Ambient temperature	-30...70 °C
Protection type IEC 60529	IP67

## Functional safety

Diagnostic coverage	0 %
Functional safety	no

## General data

Approval/Conformity	CE cULus
Basic standard	IEC 60947-5-2
Scope of delivery	Nut (2x)
Sensitivity	Switching distance adjustable

## Material

Cover material	PTFE
Housing material	PTFE
Material cover	PTFE
Material jacket	PTFE
Material sensing surface	PTFE

## Mechanical data

Dimension	undefined
Installation	non-flush
Size	M30x1.5
Tightening torque	2 Nm

## Output/Interface

Switching output	PNP Normally closed (NC)
------------------	--------------------------

## Range/Distance

Measuring range	2...30 mm
Range	2...30 mm
Rated operating distance S <sub>n</sub>	30 mm
Ripple max. (% of U <sub>e</sub> )	10 %
Temperature drift max. (% of Sr)	15 %