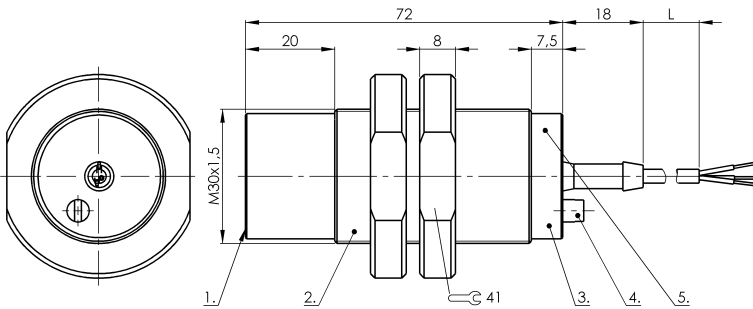
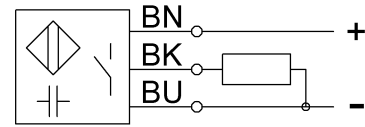


SK1-FSA-M30-PNBS-CPTFE

Ordercode: CS0086



Wiring Diagram



1) Sensing surface 2) Housing 3) Cover 4) Potentiometer 5) LED function indicator



Electrical connection

Cable length	2 m
Conductor cross-section	0.20 mm ²
Connection type	Cable, 2.00 m, PTFE
Number of conductors	3
Polarity reversal protected	yes
Short-circuit protection	yes

Electrical data

MTTF (40 °C)	221 a
Operating voltage U _b	10...35 VDC
Protected against miswiring	yes
Rated insulation voltage U _i	75 V DC
Rated operating current I _e DC	300 mA
Switching frequency	2 Hz
Utilization category	DC-13
Voltage drop static max.	1.8 V

Environmental conditions

Ambient temperature	-10...60 °C
Protection type IEC 60529	IP67

Functional safety

Diagnostic coverage	0 %
Functional safety	no

General data

Approval/Conformity	CE cULus
---------------------	-------------

Basic standard	IEC 60947-5-2
Scope of delivery	Nut (2x)
Sensitivity	media-dependent, adjustable
Series	Level sensor

Material

Cover material	PTFE
Housing material	PTFE
Material cover	PTFE
Material jacket	PTFE
Material sensing surface	PTFE

Mechanical data

Dimension	undefined
Installation	non-flush
Size	M30x1.5
Tightening torque	2 Nm

Output/Interface

Switching output	PNP Normally open (NO)
------------------	------------------------

Range/Distance

Ripple max. (% of U _e)	10 %
------------------------------------	------

Remarks

Note for using in standard applications with aqueous media: The Smart Level sensors are factory adjusted for standard applications. With this setting the Smart Level sensors can be used without further adjustment for detecting aqueous media through glass or plastic walls. The factory setting can automatically mask glass or plastic walls (approx. 0.5 mm to 6 mm) and