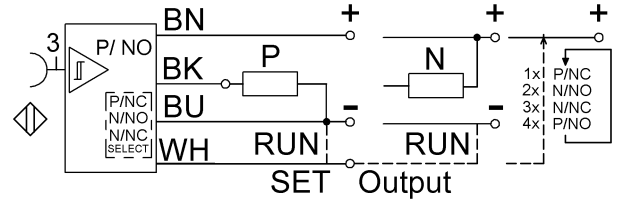
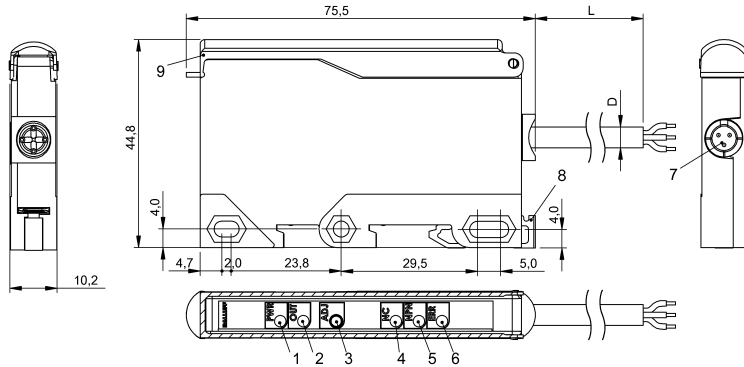


DP-BAE00KH



1) LED Power 2) LED function indicator 3) Sn 4) LED N.C. function active 5) Switching stage NPN, active 6) LED Error 7) Plug connection sensor 8) DIN rail mount 35mm 9) Flap



Display/Operation

Adjuster	Trimmer potentiometer
Function indicator	yes
Power indicator	yes
Setting	Sensitivity (Sn)

Electrical connection

Cable diameter D	4.50 mm
Cable length	2 m
Conductor cross-section	0.25 mm ²
Connection type	Cable, 2.00 m, PUR
Number of conductors	4
Polarity reversal protected	yes
Short-circuit protection	yes

Electrical data

MTTF (40 °C)	405 a
No-load current I _o max. at U _e	25 mA
Operating voltage U _b	12...30 VDC
Protected against miswiring	yes
Rated operating current I _e DC	50 mA
Rated operating voltage U _e DC	24 V
Switching frequency	100 Hz
Voltage drop U _d max. at I _e	2 V

Environmental conditions

Ambient temperature	-10...70 °C
Ambient temperature max.	70 °C
Ambient temperature min.	-10 °C
Protection type IEC 60529	IP40

Storage temperature -25...85 °C

Functional safety

Diagnostic coverage	0 %
Functional safety	no

General data

Approval/Conformity	CE cULus
Basic standard	IEC 60947-5-2

Material

Cover cap material	PA
Cover material	PBT
Housing material	PBT
Material cover	PBT
Material jacket	PUR

Mechanical data

Dimension	10.5 x 45 x 75.5 mm
Fastening detail	Screw M3 DIN EN-50022 rail 35 mm DIN EN50045 rail 15 mm

Output/Interface

Switching output	PNP/NPN NO/NC programmable
------------------	-------------------------------