

48 x 48 Hour counters CHM48 Part number 99772710



- AC : capacity 100,000 hrs (99,999.99 hrs)
- DC : capacity 1,000,000 hrs (999,999.99 hrs)
- Operation indicator
- Panel mounted
- DIN rail mounted with connector base (accessory part number : 26546845)
- IP52
- Highly resistant to shocks and impacts
- Excellent visibility due to the large digit size

Part numbers

| | Type | Operating frequency (Hz) | Voltages |
|----------|-------|--------------------------|------------|
| 99772710 | CHM48 | 50 | 20 →30 VAC |

Specifications

General characteristics

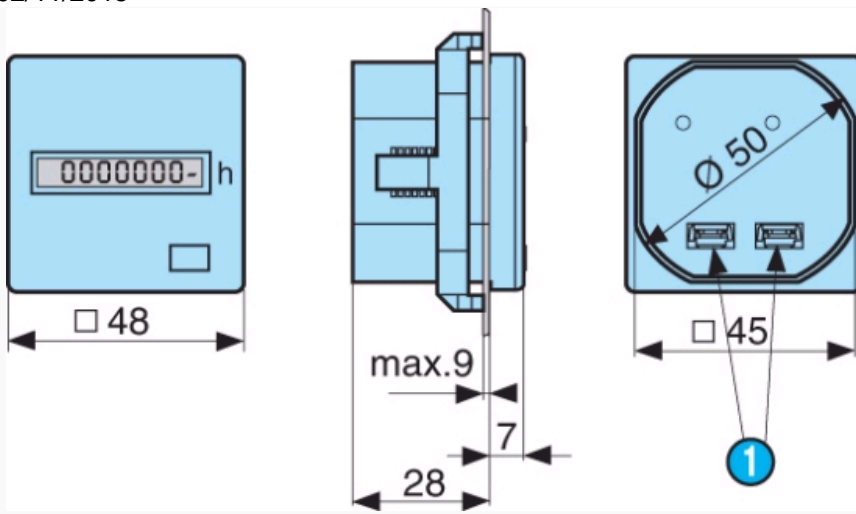
| | |
|--|---|
| Counting capacity | VAC : 99 999,99 VDC : 999,999.99 |
| Reset to zero | Not included |
| Read accuracy | 1/100 h |
| Height digits (mm) | 4 |
| Colour of hour numbers | White on a black background |
| Colour of decimal digits | Red on a black background |
| Accuracy | VAC : frequency + 30 ms VDC : < 0.003 % (24 hrs) |
| Counting input mode | Addition |
| Operation indicator | VAC : rotating red lines VDC : 1/100 hr 1 digit in 36 s |
| Degree of protection front face | IP52 |
| Mounting | Any |
| Temperature limits use (°C) | -15 →+50 |
| Temperature limits stored (°C) | -40 →+80 |
| Certifications | UL (pending) |
| Connections (panel mounted version) | Screw terminals - 6.35 mm Faston connectors |
| Connections (DIN rail mounted version) | Screw terminals with accessory 26 546 845 |
| Connection capacity | 2,5 mm ² |
| Consumption | VDC : 10 →30 approx. 500 mW/100 →130 approx. 750 mW/ VAC 50 Hz : 20 →30 approx. 0.3 VA/42 →48 approx. 0.25 VA/100 →130 approx. 0.6 VA/187 →264 approx. 1.2 VA/360 →440 approx. 1.65 VA |
| Vibration resistance | 50 m/s ² (10-500 Hz) IEC 68-2-6 |
| Test voltage for AC models | 2 000 VAC 50 Hz |
| Weight (g) | 50 |

Accessories

| Description | Code |
|--------------------------------|----------|
| Adaptor for 72 x 72 mm cut-out | 26546842 |
| Adaptor for 55 x 55 mm cut-out | 26546846 |
| DIN rail adaptor | 26546845 |

Dimensions (mm)

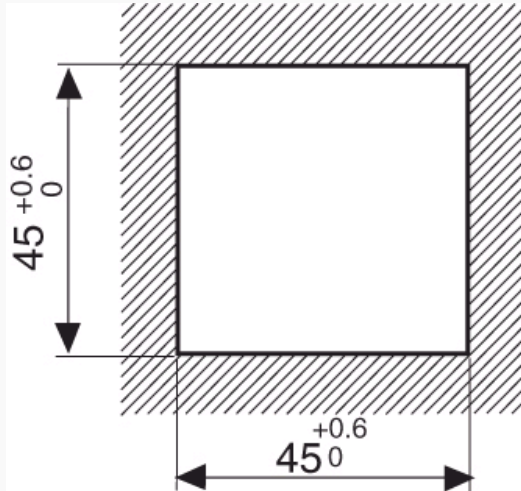
Panel mounted



| N° | Legend |
|----|-----------------|
| 1 | Screw terminals |

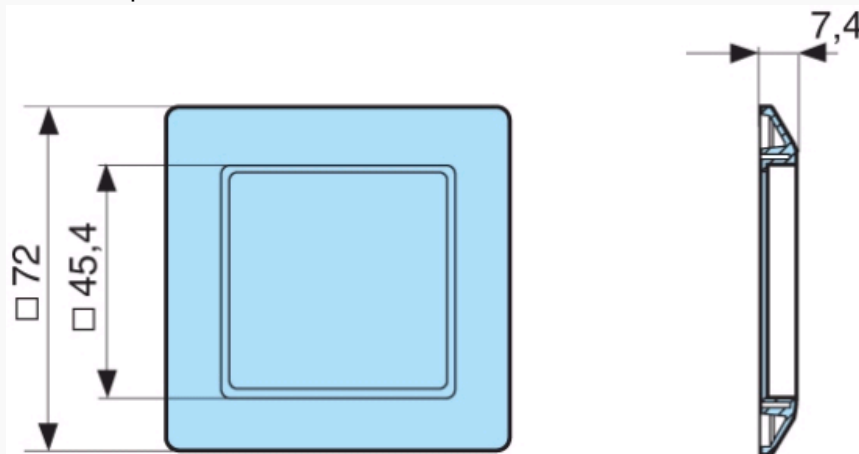
Dimensions (mm)

Panel cut-out



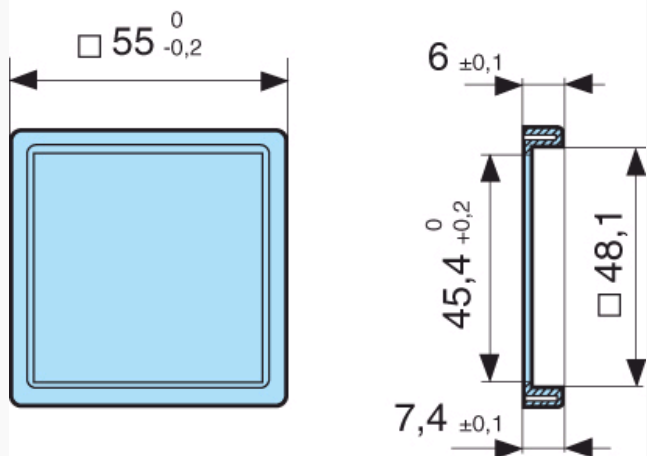
Dimensions (mm)

26546842 - Adaptor for 72 x 72 mm cut-out



Dimensions (mm)

26546846 - Adaptor for 55 x 55 mm cut-out



Dimensions (mm)

26546845 - DIN rail mounted

