

Pt100 Thermometers

TR 61 – TR 62



KEY POINTS

- Adjustable alarms
- Adjustable backlight
- Hold-min-max function
- Selection of units

TECHNICAL FEATURES

Measuring element	Pt100 class A
Number of channels	TR61: 1 channel TR62: 2 channels
Display	4 lines, LCD technology. Size: 50 x 36 mm. 2 lines of 5 digits with 7 segments (value) 2 lines of 5 digits with 16 segments (unit)
Housing	ABS, protection IP54
Keypad	5 keys
Connector	Compensated miniature female connectors
European directives	2014/30/EU EMC; 2014/35/EU Low Voltage; 2011/65/EU RoHS II; 2012/19/EU WEEE
Power supply	4 batteries AAA LR03 1.5 V
Battery life	180 hours
Ambience	Neutral gas
Conditions of use (°C, %RH, m)	From 0 to +50°C. In non condensing conditions. From 0 to 2000 m.
Storage temperature	From -20 to +80°C
Auto shut-off	Adjustable from 0 to 120 min
Weight	210 g



SPECIFICATIONS

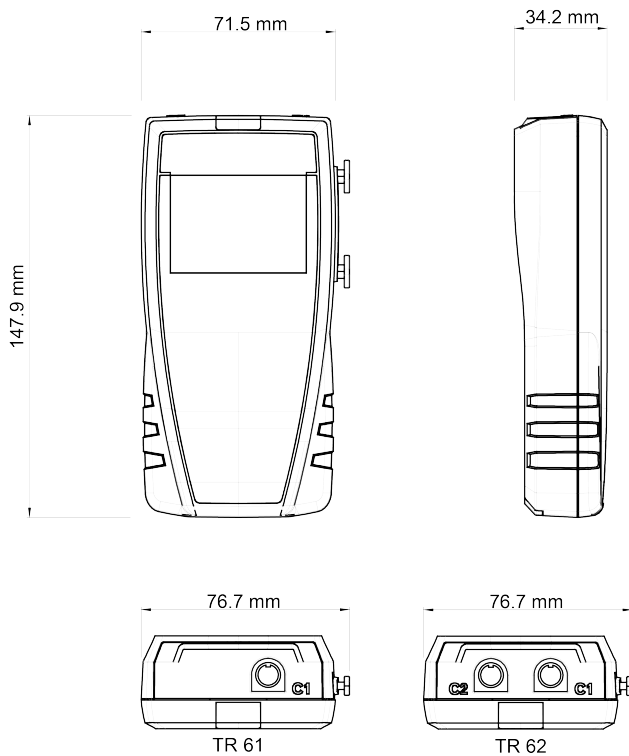
Measuring units	Measuring range	Accuracy*	Resolution
Pt100 probes (see related data sheet)			
°C, °F	From -100 to +400°C	±0.4% of reading ±0.3°C	0.1°C

* All accuracies indicated in this document were stated in laboratory conditions and can be guaranteed for measurements carried out in the same conditions, or carried out with required compensation.

FUNCTIONS

- Selection of temperature units
- Adjustable alarms
- Hold function
- Display of minimum and maximum values
- Configurable auto shut-off
- Backlight
- Delta temperature (TR62)

DIMENSIONS



OPERATING PRINCIPLES

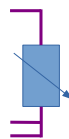
Thermometer: Pt100 probe

Pt100 is a resistance with a positive temperature coefficient which varies according to the temperature. The higher the temperature is, the more the value of the resistance increases.

ie: for 0°C \approx 100 Ω

for 100°C \approx 138.5 Ω .

Platinum resistance



WARRANTY

Instruments have 1-year guarantee for any manufacturing defect (return to our After-Sales Service required for appraisal).

PRECAUTIONS FOR USE

Please always use the device in accordance with its intended use and within parameters described in the technical features in order not to compromise the protection ensured by the device.

SUPPLIED WITH

Instruments are supplied with an adjustment certificate.

ACCESSORIES

- **CQ 15:** Magnetic protective housing
- **RTE:** Telescopic extension, length 1m, with index at 90°
- Pt100 temperature probe
- Black ball Ø150 mm with stuffing box for temperature probe Ø4.5 mm. Other on request.
- **ST 110:** Transport case
- Calibration certificate



MAINTENANCE

We carry out calibration, adjustment and maintenance of your instruments to guarantee a constant level of quality of your measurements. As part of Quality Assurance Standards, we recommend you to carry out a yearly checking.