

---

# Photo-electric sensors miniature design XUM range

## Catalogue



Simply easy!™



# Photo-electric sensors miniature design XUM range

---

■ <b>References</b>	
□ Thru-beam system	page 2
□ Polarised reflex system	page 3
□ Background suppression system	page 3
□ Diffuse system	page 4
□ Fixing accessories	page 5
□ Cabling accessories	pages 16 to 21
■ <b>Characteristics</b>	page 6
■ <b>Wiring schemes</b>	page 7
■ <b>Curves</b>	pages 8 to 11
■ <b>Dimensions</b>	pages 12 to 15
■ <b>Product reference index</b>	page 22

# Photo-electric sensors

XUM, general purpose, single mode function

Miniature design, plastic

Three-wire DC, solid-state output

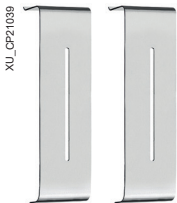
Potentiometer setting for NO/NC, sensitivity



XUM2A●XBL2



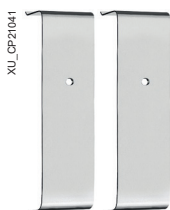
XUM2A●XBM8



XUZDVM●●



XUZDHM●●



XUZDRM●●

## Thru-beam system with adjustable sensitivity

Max./operating sensing distance (Sn)	Function	Output	Connection	Reference	Weight kg
<b>Transmitter + receiver</b>					
30 m/24 m	Light ON (NC)/ Dark ON (NO) configuration by potentiometer	PNP	Pre-cabled (L = 2 m)	<b>XUM2APXBL2</b>	0.096
			M8 connector (4-pin)	<b>XUM2APXBM8</b>	0.026
		NPN	Pre-cabled (L = 2 m)	<b>XUM2ANXBL2</b>	0.096
			M8 connector (4-pin)	<b>XUM2ANXBM8</b>	0.026

## Transmitter only (1)

30 m/24 m			Pre-cabled (L = 2 m)	<b>XUM2AKXBL2T</b>	0.063
			M8 connector (4-pin)	<b>XUM2AKXBM8T</b>	0.010

## Receiver only (1)

30 m/24 m	Light ON (NC)/ Dark ON (NO) configuration by potentiometer	PNP	Pre-cabled (L = 2 m)	<b>XUM2APXBL2R</b>	0.630
			M8 connector (4-pin)	<b>XUM2APXBM8R</b>	0.010
		NPN	Pre-cabled (L = 2 m)	<b>XUM2ANXBL2R</b>	0.063
			M8 connector (4-pin)	<b>XUM2ANXBM8R</b>	0.010

## Accessories for thru-beam system

Description	Dimensions	Sensing distance	Reference	Weight
	mm	m		kg
Vertical diaphragm <i>Sold in lots of 2</i>	0.5 x 6.4	1	<b>XUZDVM05</b>	0.003
	1 x 6.4	1.5	<b>XUZDVM10</b>	0.003
	2 x 6.4	3.5	<b>XUZDVM20</b>	0.003
Horizontal diaphragm <i>Sold in lots of 2</i>	0.5 x 6.4	0.7	<b>XUZDHM05</b>	0.003
	1 x 6.4	1.5	<b>XUZDHM10</b>	0.003
	2 x 6.4	3	<b>XUZDHM20</b>	0.003
Round diaphragm <i>Sold in lots of 2</i>	0.5 x 6.4	0.08	<b>XUZDRM05</b>	0.003
	1 x 6.4	0.3	<b>XUZDRM10</b>	0.003
	2 x 6.4	1.2	<b>XUZDRM20</b>	0.003

## Fixing accessories

See page 5.

## Cabling accessories

See pages 16 to 21.

(1) To order these references, please consult our Customer Care Centre.

# Photo-electric sensors

XUM, general purpose, single mode function

Miniature design, plastic

Three-wire DC, solid-state output

Potentiometer setting for NO/NC, sensitivity



XUM9A●XBL2



XUM9A●XBM8



XUZC50



XUZC39



XUZC60S11



XUM8A●XBL2



XUM8A●XBM8

## Polarised reflex system with adjustable sensitivity

### Sensors

Max./operating sensing distance (Sn)	Function	Output	Connection	Reference	Weight kg
8 m/6.7 m with reflector XUZC50	Light ON (NC)/ Dark ON (NO) configuration by potentiometer	PNP	Pre-cabled (L = 2 m)	<b>XUM9APXBL2</b>	0.063
			M8 connector (4-pin)	<b>XUM9APXBM8</b>	0.010
		NPN	Pre-cabled (L = 2 m)	<b>XUM9ANXBL2</b>	0.063
			M8 connector (4-pin)	<b>XUM9ANXBM8</b>	0.010

### Reflectors

Description	Size	Fixing mode	Reference	Weight kg
Rigid square reflectors	100 mm x 100 mm	2 brackets (not provided)	<b>XUZC100</b>	0.035
	51.5 mm x 69 mm	6 holes	<b>XUZC50</b>	0.020
Rigid rectangle reflectors	45 mm x 29 mm	2 holes	<b>XUZC24</b>	0.010
	40 mm x 60 mm	2 holes	<b>XUZC60S11</b>	0.022
Rigid circular reflectors	Ø 39 mm	Adhesive	<b>XUZC39</b>	0.008

Note: All reflectors are IP 67 and IP 69K.

## Background suppression system with adjustable sensitivity

Max./operating sensing distance (Sn)	Function	Output	Connection	Reference	Weight kg
300 mm/200 mm (white object or paper)	Light ON (NO)/ Dark ON (NC) configuration by potentiometer	PNP	Pre-cabled (L = 2 m)	<b>XUM8APXBL2</b>	0.063
			M8 connector (4-pin)	<b>XUM8APXBM8</b>	0.010
		NPN	Pre-cabled (L = 2 m)	<b>XUM8ANXBL2</b>	0.063
			M8 connector (4-pin)	<b>XUM8ANXBM8</b>	0.010

## Accessories

### Fixing accessories

See page 5.

### Cabling accessories

See pages 16 to 21.

# Photo-electric sensors

XUM, general purpose, single mode function

Miniature design, plastic

Three-wire DC, solid-state output

Potentiometer setting for NO/NC, sensitivity



XUM4A●XBL2



XUM4A●XBM8



XUM6A●XBL2



XUM6A●XBM8



XUM5A●XBL2



XUM5A●XBM8

### Diffuse system with adjustable sensitivity

Max./operating sensing distance (Sn)	Function	Output	Connection	Reference	Weight kg
<b>Diffuse short range</b>					
0.25 m/0.17 m	Light ON (NO)/ Dark ON (NC) configuration by potentiometer	PNP	Pre-cabled (L = 2 m)	<b>XUM4APXBL2</b>	0.063
			M8 connector (4-pin)	<b>XUM4APXBM8</b>	0.010
		NPN	Pre-cabled (L = 2 m)	<b>XUM4ANXBL2</b>	0.063
			M8 connector (4-pin)	<b>XUM4ANXBM8</b>	0.010

### Diffuse medium range

1.1 m/0.8 m	Light ON (NO)/ Dark ON (NC) configuration by potentiometer	PNP	Pre-cabled (L = 2 m)	<b>XUM6APXBL2</b>	0.063
			M8 connector (4-pin)	<b>XUM6APXBM8</b>	0.010
		NPN	Pre-cabled (L = 2 m)	<b>XUM6ANXBL2</b>	0.063
			M8 connector (4-pin)	<b>XUM6ANXBM8</b>	0.010

### Diffuse long range

1.9 m/1.5 m	Light ON (NO)/ Dark ON (NC) configuration by potentiometer	PNP	Pre-cabled (L = 2 m)	<b>XUM5APXBL2</b>	0.063
			M8 connector (4-pin)	<b>XUM5APXBM8</b>	0.010
		NPN	Pre-cabled (L = 2 m)	<b>XUM5ANXBL2</b>	0.063
			M8 connector (4-pin)	<b>XUM5ANXBM8</b>	0.010

## Photo-electric sensors

XUM, general purpose, single mode function

Miniature design, plastic

Three-wire DC, solid-state output

Potentiometer setting for NO/NC, sensitivity



XUZASM04



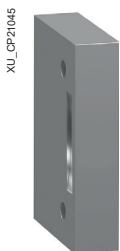
XUZASM03



XUZASM02



XUZA50



XUZASM05

## Accessories for all XUM miniature sensors

## Fixing accessories

Description	For use with sensors	Reference	Weight kg
Rear mounting bracket Supplied with 2 M3 screws	XUM●A●XBL2 XUM●A●XBM8	<b>XUZASM04</b>	0.030
Wrap around vertical mounting bracket, for pre-cabled sensors Supplied with 2 M3 screws	XUM●A●XBL2	<b>XUZASM03</b>	0.062
Wrap around horizontal mounting bracket, for pre-cabled sensors Supplied with 2 M3 screws	XUM●A●XBL2	<b>XUZASM02</b>	0.030
Metal fixing bracket Supplied with 2 M3 screws	XUM●A●XBL2 XUM●A●XBM8	<b>XUZA50</b>	0.025

## Setting-up accessory

<b>Air blower mounting block (1)</b> for cleaning the sensitive face of the sensor, using compressed air.	XUM●A●XBL2 XUM●A●XBM8	<b>XUZASM05</b>	0.030
-----------------------------------------------------------------------------------------------------------------	--------------------------	-----------------	-------

Supplied with 2 mounting screws (M3 x 20),  
1 air supply port plugging screw for the  
unused port (of 2 available) and 1 gasket.

## Cabling accessories

See pages 16 to 21.

(1) The air tube is not provided.

# Photo-electric sensors

XUM, general purpose, single mode function

Miniature design, plastic

Three-wire DC, solid-state output

Potentiometer setting for NO/NC, sensitivity

Characteristics				
Sensor type			XUM●A●XBM8	XUM●A●XBL2
Product certifications			CE, UKCA, cULus EAC, RCM (pending)	
Connection	Connector		M8	–
	Pre-cabled		–	Length: 2 m
Nominal sensing distance Sn	Système barrage	XUM2	m	30 (with excess gain = 1) 24 (with excess gain = 2)
	Polarised reflex system (using a 50 x 50 mm reflector XUZC50)	XUM9	m	0.05...8 (with excess gain = 1) 0.05...6.7 (with excess gain = 2)
	Background suppression system	XUM8	mm	4 mm...300 mm: White paper or object. Sn (90%) 5 mm...265 mm: Grey object. Sn (18%) 8 mm...200 mm: Black object. Sn (6%)
	Diffuse system (using a white paper 200 x 200 mm)	XUM4	m	0.25 (with excess gain = 1) 0.17 (with excess gain = 2)
		XUM5	m	1.9 (with excess gain = 1) 1.5 (with excess gain = 2)
XUM6		m	1.1 (with excess gain = 1) 0.8 (with excess gain = 2)	
Hysteresis			2% < H < 20% at Sn	
Type of transmission	Red		Thru-beam system XUM2 Polarised reflex system XUM9 Background suppression system XUM8 Diffuse system XUM6	
	Infrared		Diffuse system XUM4 and XUM5	
Degree of protection	Conforming to IEC 60529		IP 65, IP 67	
Storage temperature			°C	-40...+70
Operating temperature			°C	-30...+55
Materials	Case		PBT	
	Lens		PMMA	
	Display		PC	
	Cable		–	PVC
Vibration resistance	Conforming to IEC 60068-2-6		Frequency range: 10 to 500 Hz Acceleration: 9 gn	
Shock resistance	Conforming to IEC 60068-2-27		Peak acceleration: 100 gn Duration of the pulse: 11 ms	
Indicator lights	Output state		Yellow LED	
	Stability		Green LED (XUM4, XUM5, XUM6, XUM8, XUM9)	
	Power on		Green LED (XUM2)	
Rated supply voltage			V	--- 12...24 with protection against reverse polarity
Voltage limits (including ripple)			V	--- 12...24
Current consumption, no-load			mA	< 20 max.
Switching capacity			mA	100
Voltage drop, closed state			V	≤ 2
Maximum switching frequency			Hz	1000
Delays	First-up		ms	< 100
	Response		ms	0.5
	Recovery		ms	0.5

# Photo-electric sensors

XUM, general purpose, single mode function

Miniature design, plastic

Three-wire DC, solid-state output

Potentiometer setting for NO/NC, sensitivity

## Wiring schemes

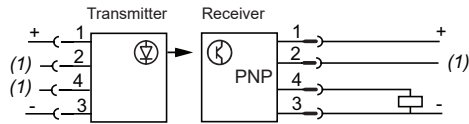
### Thru-beam system

#### M8 connector - 4 pins



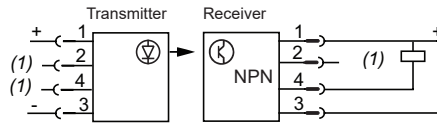
#### PNP

##### XUM2APXBM8



#### NPN

##### XUM2ANXBM8

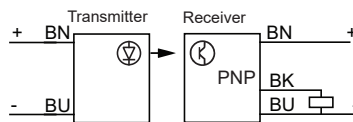


#### Pre-cabled - 3 wires

(-) BU (Blue)  
(+) BN (Brown)  
OUT/Output BK (Black)

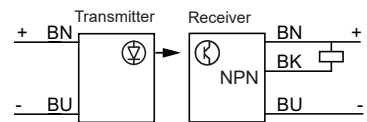
#### PNP

##### XUM2APXBL2



#### NPN

##### XUM2ANXBL2



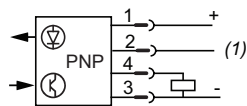
### Polarised reflex, background suppression and diffuse systems

#### M8 connector - 4 pins



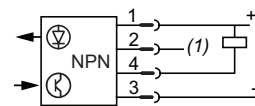
#### PNP

##### XUM●APXBM8



#### NPN

##### XUM●ANXBM8

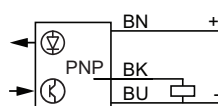


#### Pre-cabled - 3 wires

(-) BU (Blue)  
(+) BN (Brown)  
OUT/Output BK (Black)

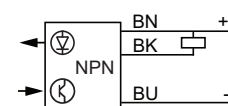
#### PNP

##### XUM●APXBL2



#### NPN

##### XUM●ANXBL2



(1): Not connected.



# Photo-electric sensors

XUM, general purpose, single mode function

Miniature design, plastic

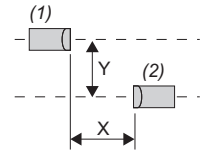
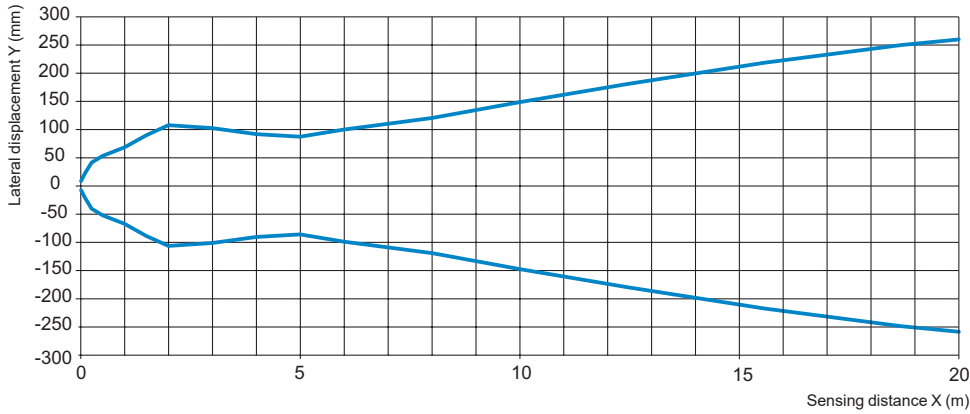
Three-wire DC, solid-state output

Potentiometer setting for NO/NC, sensitivity

## Detection curves

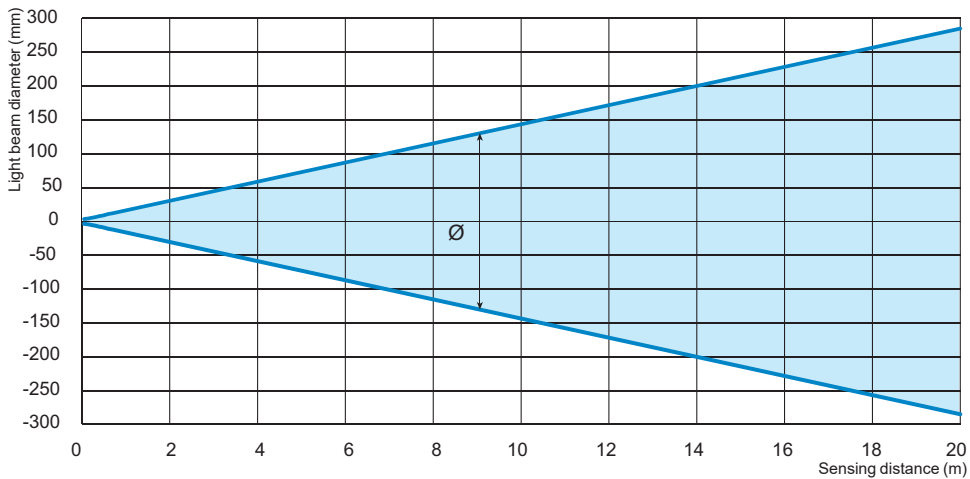
Thru-beam system: XUM2

Lateral displacement

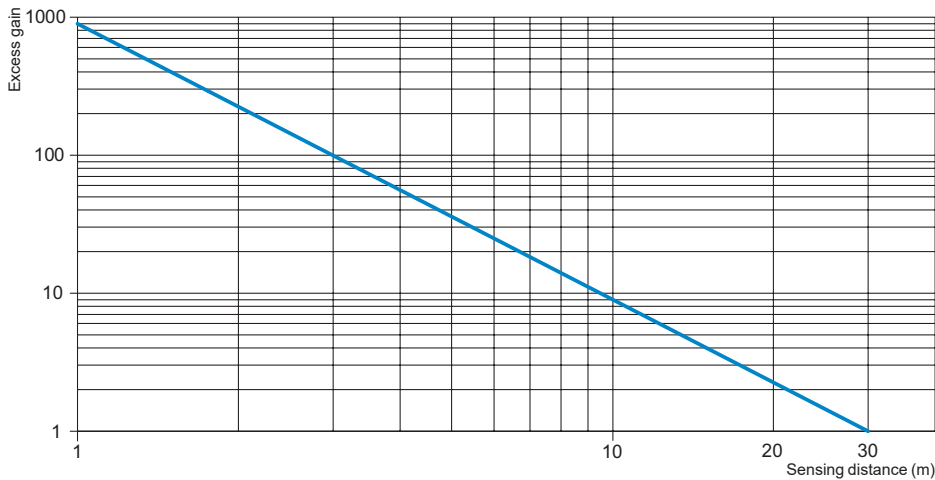


(1): Transmitter  
(2): Receiver

## Light beam diameter



## Excess gain



# Photo-electric sensors

XUM, general purpose, single mode function

Miniature design, plastic

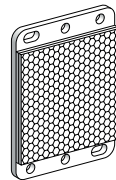
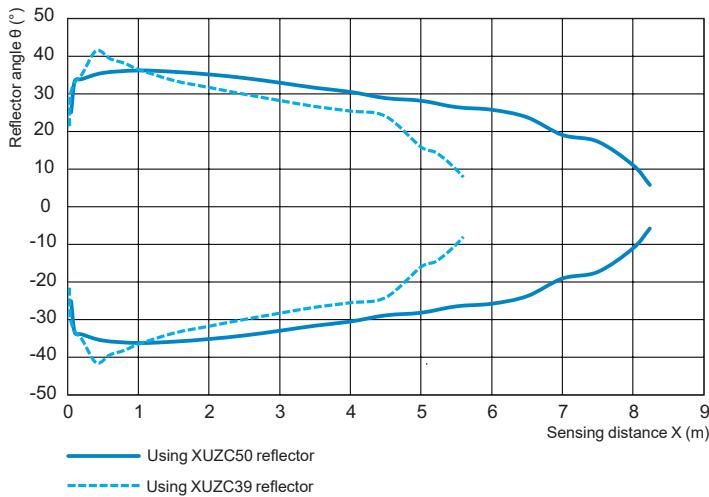
Three-wire DC, solid-state output

Potentiometer setting for NO/NC, sensitivity

## Detection curves

Polarised reflex system: XUM9

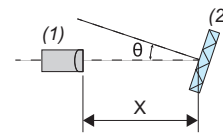
Reflector angle



XUZC50

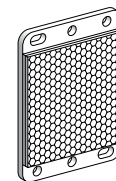
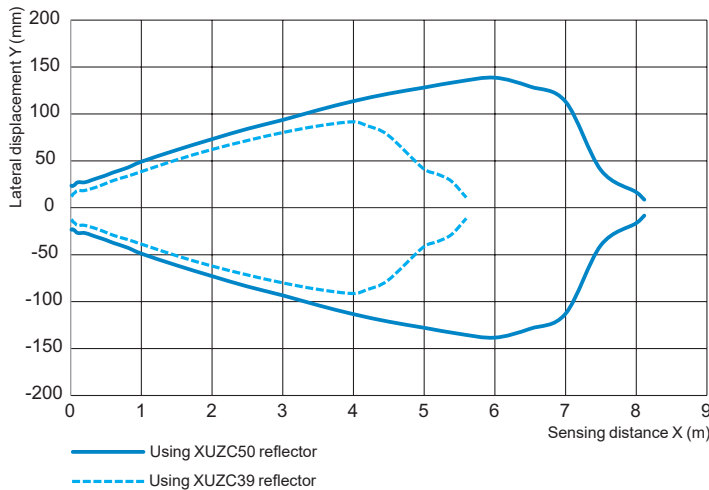


XUZC39



(1): Sensor  
(2): Reflector  
 $\theta$ : Reflector angle (°)  
 $X$ : Sensing distance (m)

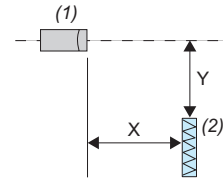
## Lateral displacement



XUZC50

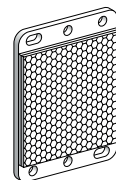
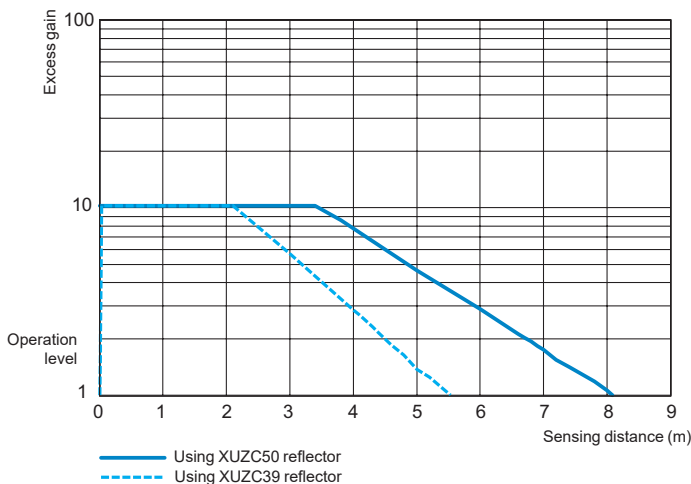


XUZC39



(1): Sensor  
(2): Reflector  
 $Y$ : Lateral displacement (mm)  
 $X$ : Sensing distance (m)

## Excess gain



XUZC50



XUZC39

# Photo-electric sensors

XUM, general purpose, single mode function

Miniature design, plastic

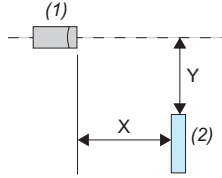
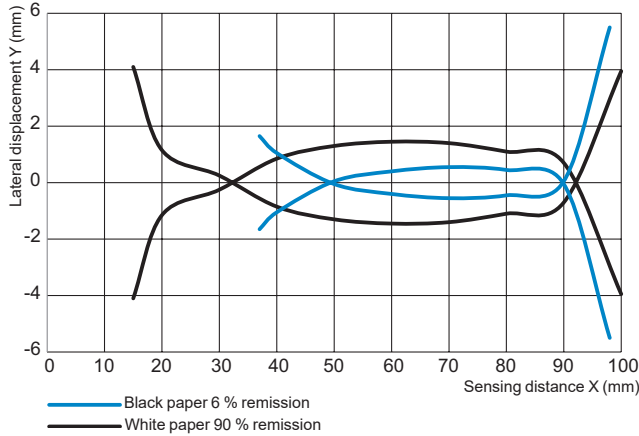
Three-wire DC, solid-state output

Potentiometer setting for NO/NC, sensitivity

## Detection curves (continued)

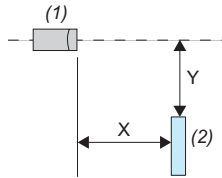
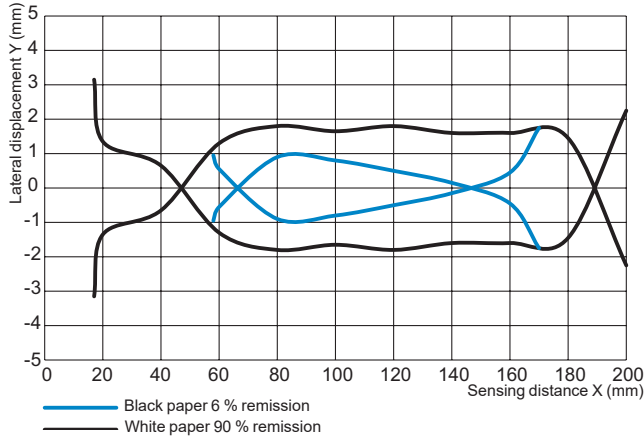
Background suppression system: XUM8

Lateral displacement (preset 100 mm)



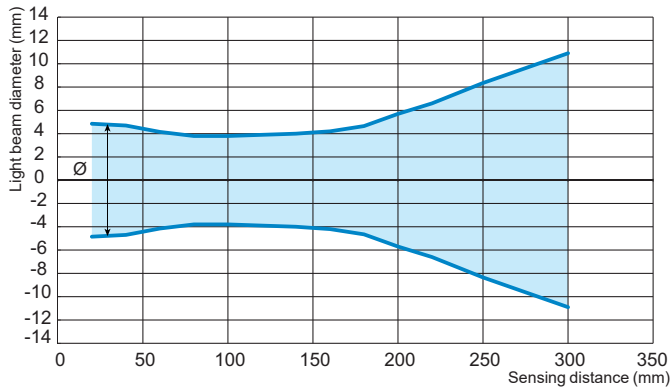
(1): Sensor  
(2): Object (200 mm square white and black mat paper)  
X: Sensing distance (mm)  
Y: Lateral displacement (mm)

Lateral displacement (preset 200 mm)

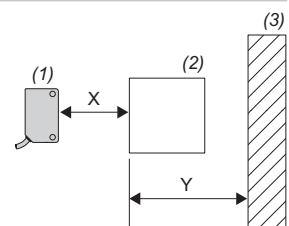
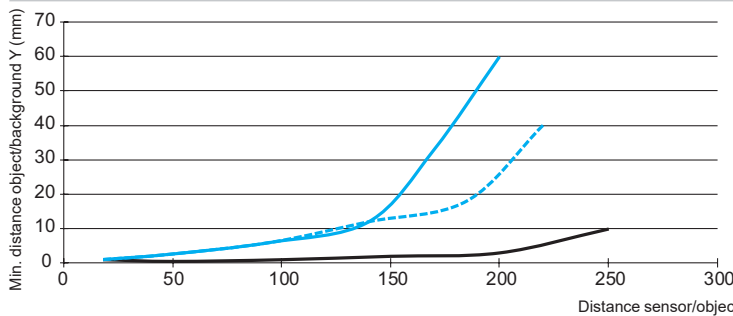


(1): Sensor  
(2): Object (200 mm square white and black mat paper)  
X: Sensing distance (mm)  
Y: Lateral displacement (mm)

## Light beam diameter



## Minimum distance between the object to detect and white background



(1): Sensor  
(2): Object  
(3): Background  
X: Distance sensor/object (mm)  
Y: Min. distance object/background (mm)

# Photo-electric sensors

XUM, general purpose, single mode function

Miniature design, plastic

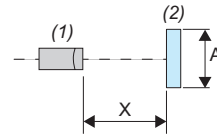
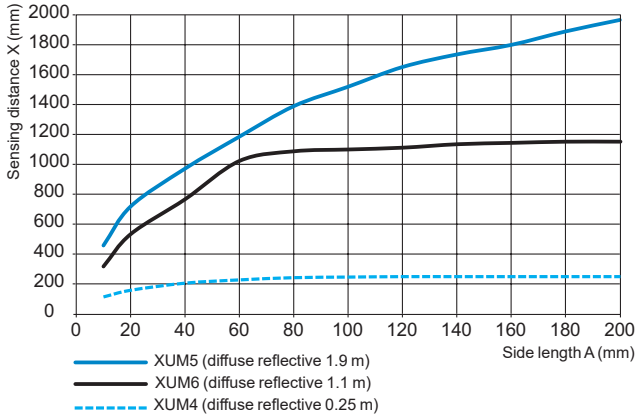
Three-wire DC, solid-state output

Potentiometer setting for NO/NC, sensitivity

## Detection curves (continued)

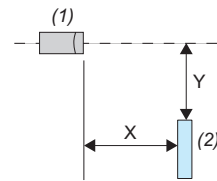
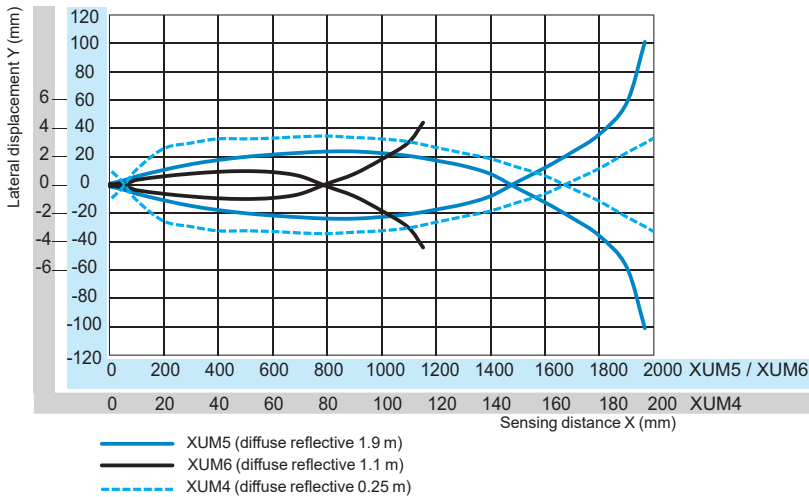
Diffuse system: XUM4, XUM5 and XUM6

Object size/sensing distance



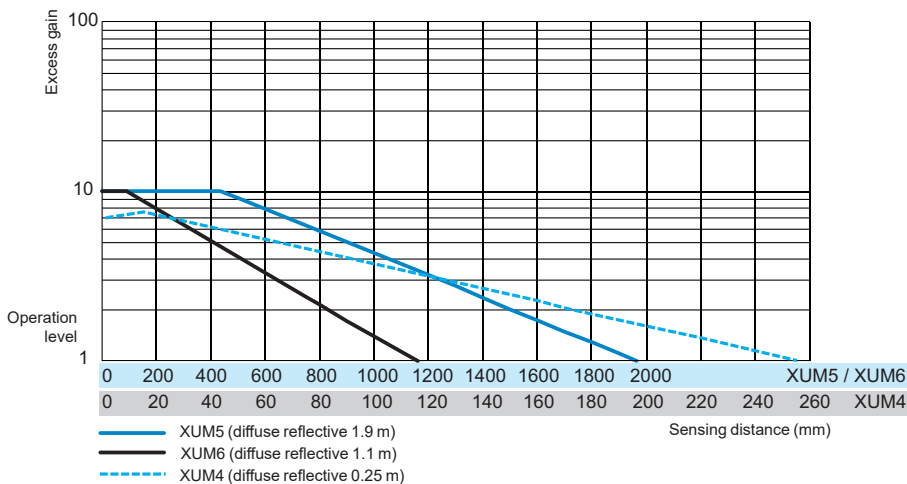
(1): Sensor  
 (2): Object (white mat paper of A mm square)  
 A: Side length (mm)  
 X: Sensing distance (mm)

## Lateral displacement



(1): Sensor  
 (2): Object (200 x 200 mm square white paper)  
 X: Sensing distance (mm)  
 Y: Lateral displacement (mm)

## Excess gain



# Photo-electric sensors

XUM, general purpose, single mode function

Miniature design, plastic

Three-wire DC, solid-state output

Potentiometer setting for NO/NC, sensitivity

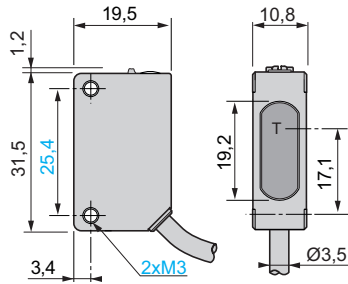
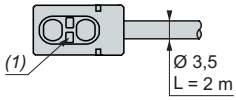
## Thru-beam system

### Pre-cabled version

#### Transmitter

Description - XUM2A●XBL2

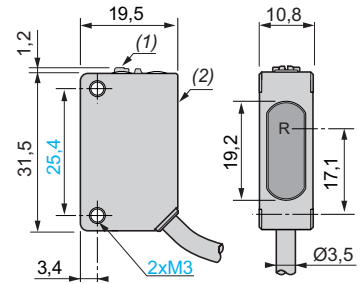
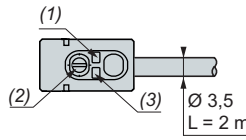
Dimensions - XUM2A●XBL2



#### Receiver

Description - XUM2A●XBL2

Dimensions - XUM2A●XBL2

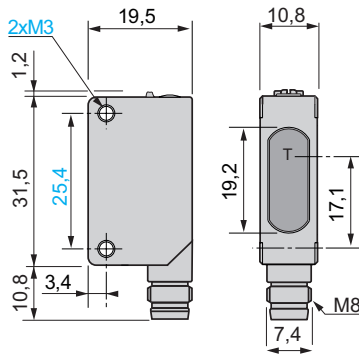
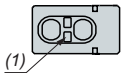


### M8 connector version

#### Transmitter

Description - XUM2A●XBM8

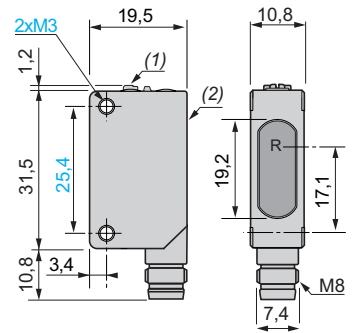
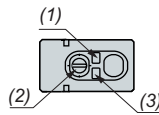
Dimensions - XUM2A●XBM8



#### Receiver

Description - XUM2A●XBM8

Dimensions - XUM2A●XBM8



(1) Power ON indicator (green).

T: Transmission.

(1) Output indicator (yellow)

(2) Setting potentiometer

(sensitivity).

(3) Power ON indicator (green).

R: Reception.

(1) Setting potentiometer (sensitivity).

(2) Setting potentiometer (output).

# Photo-electric sensors

XUM, general purpose, single mode function

Miniature design, plastic

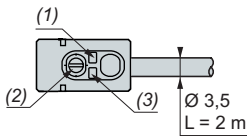
Three-wire DC, solid-state output

Potentiometer setting for NO/NC, sensitivity

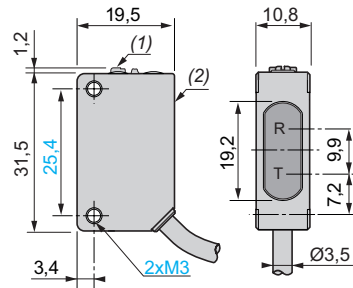
## Polarised reflex system

### Pre-cabled version

#### Description - XUM9A●XBL2

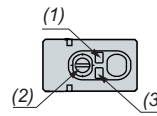


#### Dimensions - XUM9A●XBL2

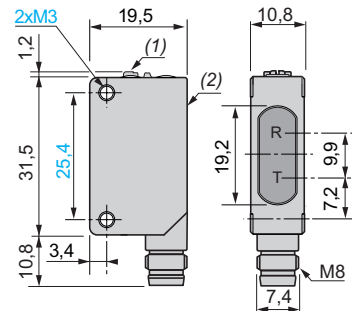


### M8 connector version

#### Description - XUM9A●XBM8

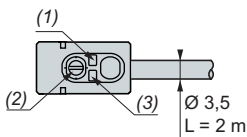


#### Dimensions - XUM9A●XBM8

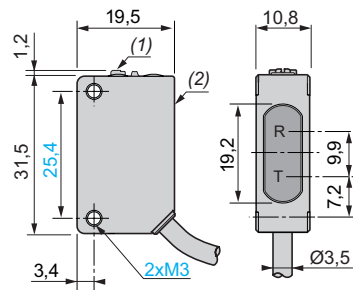


## Background suppression system

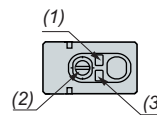
### Description - XUM8A●XBL2



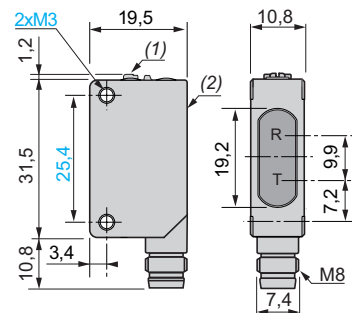
### Dimensions - XUM8A●XBL2



### Description - XUM8A●XBM8

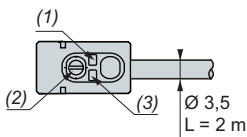


### Dimensions - XUM8A●XBM8

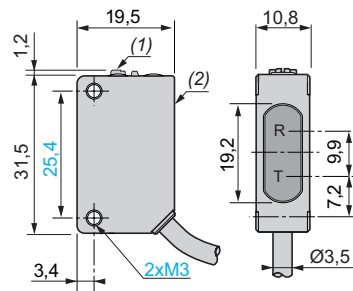


## Diffuse system

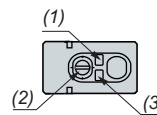
### Description - XUM5A●XBL2, XUM6A●XBL2, XUM4A●XBL2



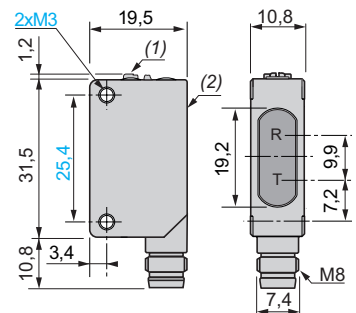
### Dimensions - XUM5A●XBL2, XUM6A●XBL2, XUM4A●XBL2



### Description - XUM5A●XBM8, XUM6A●XBM8, XUM4A●XBM8



### Dimensions - XUM5A●XBM8, XUM6A●XBM8, XUM4A●XBM8



- (1) Output indicator (yellow)
- (2) Setting potentiometer (sensitivity)
- (3) Stability indicator (green).

- R: Reception.
- T: Transmission.
- (1) Setting potentiometer (sensitivity).
- (2) Setting potentiometer (output).

- (1) Output indicator (yellow)
- (2) Setting potentiometer (sensitivity)
- (3) Stability indicator (green).

- R: Reception.
- T: Transmission.
- (1) Setting potentiometer (sensitivity).
- (2) Setting potentiometer (output).

# Photo-electric sensors

XUM, general purpose, single mode function

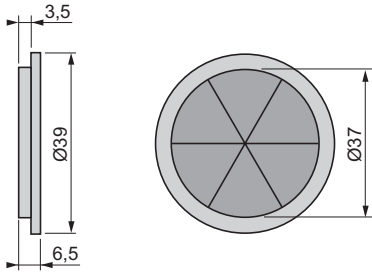
Miniature design, plastic

Accessories

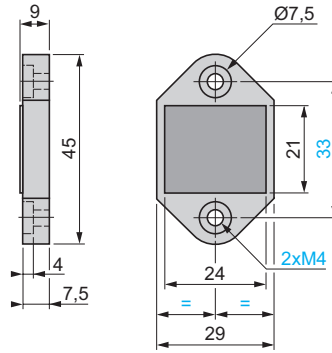
## Accessories

### Reflectors

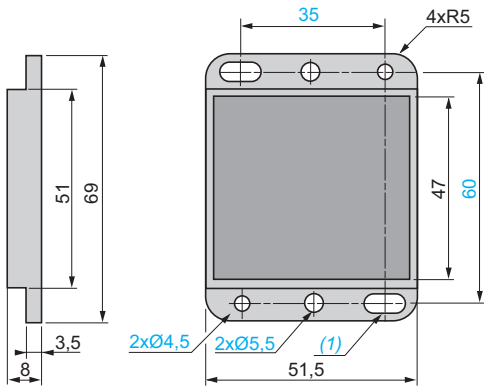
XUZC39



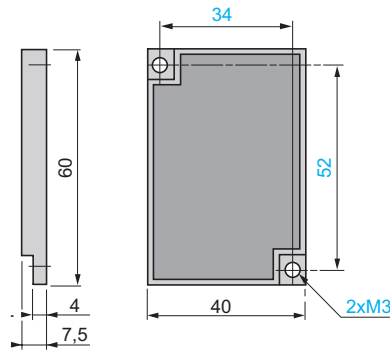
XUZC24



XUZC50

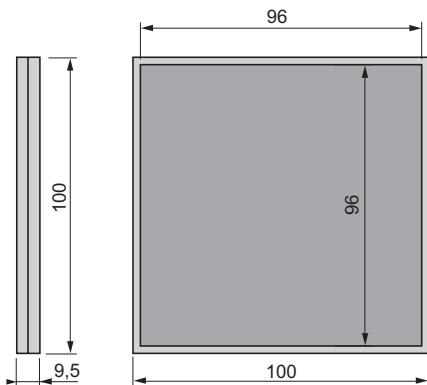


XUZC60S11



(1) 2 elongated holes Ø 4.5 x 8

XUZC100



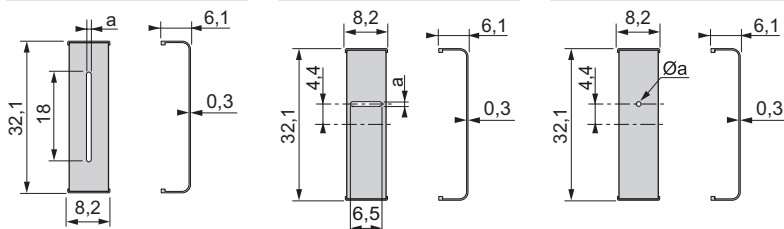
### Diaphragms

XUZDVM●●

XUZDHM●●

XUZDRM●●

Reference a (mm)



XUZDVM05 0.5

XUZDVM10 1

XUZDVM20 2

XUZDHM05 0.5

XUZDHM10 1

XUZDHM20 2

XUZDRM05 Ø 0.5

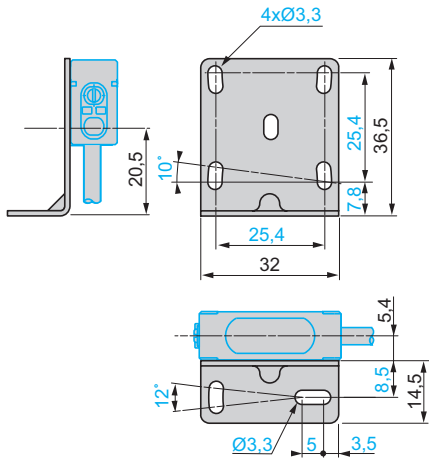
XUZDRM10 Ø 1

XUZDRM20 Ø 2

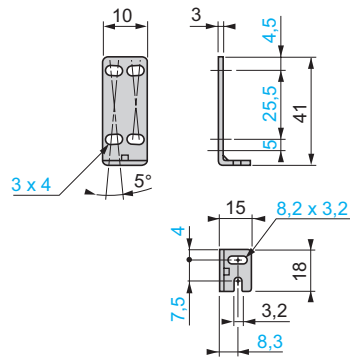
## Accessories (continued)

### Fixing brackets

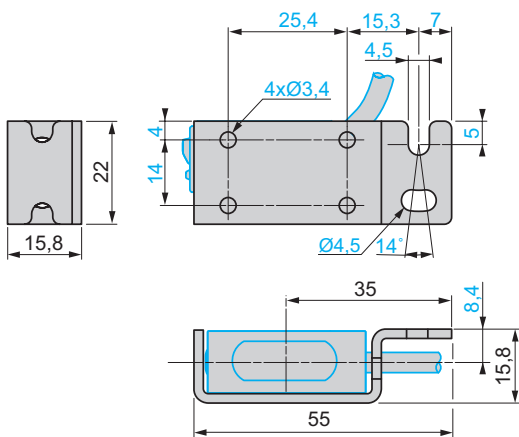
XUZASM04



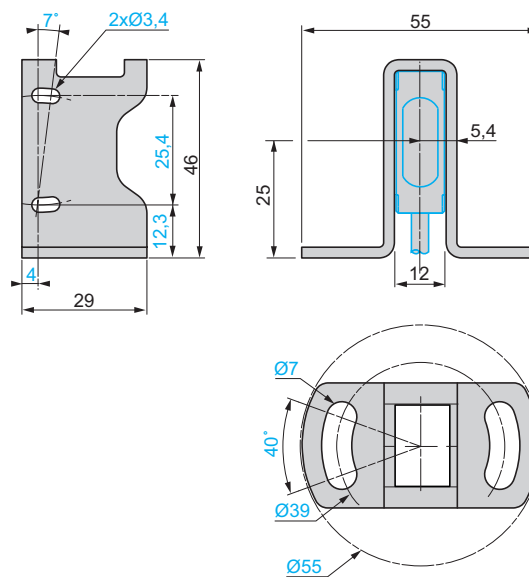
XUZA50



XUZASM02

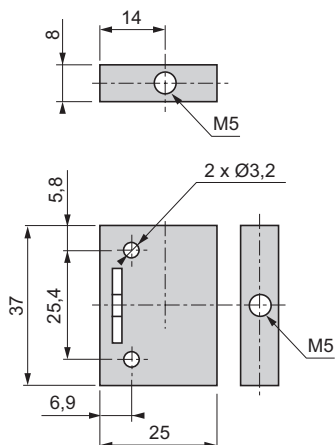


XUZASM03



### Air blower mounting block

XUZASM05



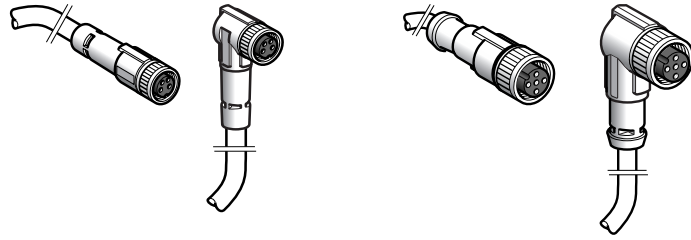


# Photo-electric sensors

Cabling accessories for XUM miniature sensors

Pre-wired connectors M8 and M12

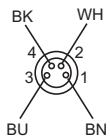
PVC cable



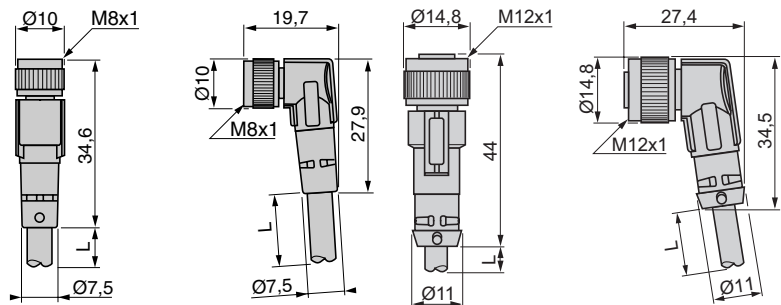
Connector type		Female, M8, straight	Female, M8, elbowed	Female, M12, straight	Female, M12, elbowed
Number of pins		4			
<b>References</b>					
PVC cable	L = 2 m	XZCPV0941L2	XZCPV1041L2	XZCPV1141L2	XZCPV1241L2
	L = 5 m	XZCPV0941L5	XZCPV1041L5	XZCPV1141L5	XZCPV1241L5
	L = 10 m	XZCPV0941L10	XZCPV1041L10	XZCPV1141L10	XZCPV1241L10
Weight (kg)		0.090 (L = 2 m) 0.200 (L = 5 m) 0.380 (L = 10 m)		0.090 (L = 2 m) 0.200 (L = 5 m) 0.380 (L = 10 m)	

<b>Characteristics</b>		
Certifications	cULus	
Connection type	Screw threaded (metal clamping ring)	
Cable material	PVC sheath, PP conductor insulation	
Degree of protection	IP 65, IP 67	
Ambiant air temperature	Static cable	- 25...+ 80 °C
	Flexing cable	- 5...+ 80 °C
Cabling	Ø 4.6 mm cable, conductor c.s.a.: 4 x 0.25 mm <sup>2</sup>	
Nominal voltage	~ 60 V, --- 75 V	~ 250 V, --- 300 V
Nominal current	3 A	
Insulation resistance	> 10 <sup>9</sup> Ω	
Contact resistance	≤ 5 m Ω	

<b>Connections</b>	<b>Dimensions</b>			
XZCPV0941L●, XZCPV1041L●	XZCPV0941L●	XZCPV1041L●	XZCPV1141L●	XZCPV1241L●



BN: Brown  
WH: White  
BU: Blue  
BK: Black



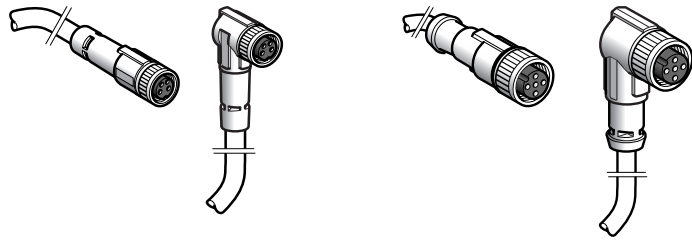
L = 2, 5 or 10 m

# Photo-electric sensors

Cabling accessories for XUM miniature sensors

Pre-wired connectors M8 and M12

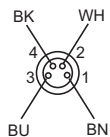
PUR cable



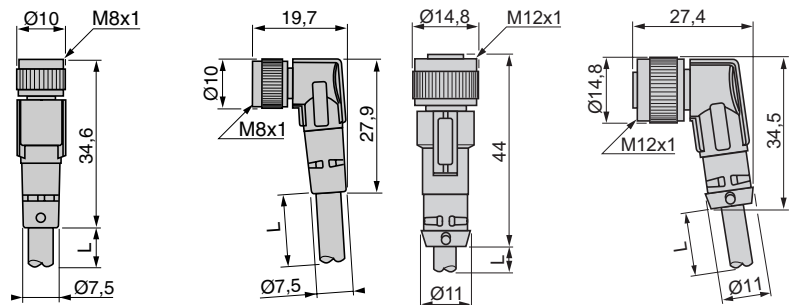
Connector type	Female, M8, straight	Female, M8, elbowed	Female, M12, straight	Female, M12, elbowed	
Number of conductors	4				
<b>References</b>					
PUR cable	L = 2 m	XZCP0941L2	XZCP1041L2	XZCP1141L2	XZCP1241L2
	L = 5 m	XZCP0941L5	XZCP1041L5	XZCP1141L5	XZCP1241L5
	L = 10 m	XZCP0941L10	XZCP1041L10	XZCP1141L10	XZCP1241L10
Weight (kg)	0.080 (L = 2 m) 0.180 (L = 5 m) 0.360 (L = 10 m)		0.090 (L = 2 m) 0.190 (L = 5 m) 0.370 (L = 10 m)		

<b>Characteristics</b>		
Certifications	cULus	
Connection type	Screw threaded (metal clamping ring)	
Cable material	PUR sheath, PP conductor insulation	
Degree of protection	IP 65, IP 67, IP 69K	
Ambiant air temperature	Static cable	- 40...+ 80 °C
	Flexing cable	- 5...+ 80 °C
Cabling	Ø 5.2 mm cable, conductor c.s.a.: 4 x 0.34 mm <sup>2</sup>	
Nominal voltage	~ 60 V, ~ 75 V	~ 250 V, ~ 300 V
Nominal current	4 A	
Insulation resistance	> 10 <sup>9</sup> Ω	
Contact resistance	≤ 5 m Ω	

<b>Connections</b>	<b>Dimensions</b>			
XZCP0941L●, XZCP1041L●	XZCP0941L●	XZCP1041L●	XZCP1141L●	XZCP1241L●



BN: Brown  
WH: White  
BU: Blue  
BK: Black



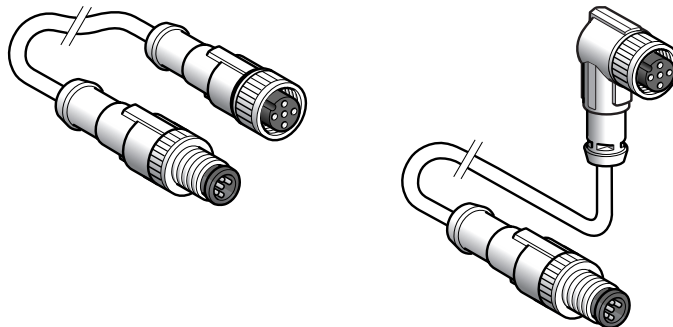
L = 2, 5 or 10 m

# Photo-electric sensors

Cabling accessories for XUM miniature sensors

Jumper cables M12-M12

PVC cable



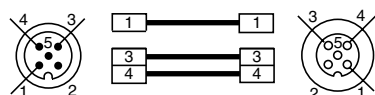
Male connector type	M12, 3-pin, straight		
Female connector type	M12, 3-pin, straight	M12, 3-pin, elbowed	
Number of conductors	3		
<b>References</b>			
PVC cable	L = 1 m	XZCRV1511040A1	XZCRV1512040A1
	L = 2 m	XZCRV1511040A2	XZCRV1512040A2
	L = 5 m	-	-
Weight (kg)	0.070 (L = 1 m) 0.100 (L = 2 m)		

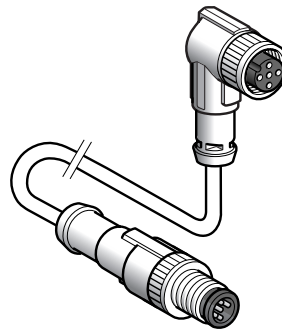
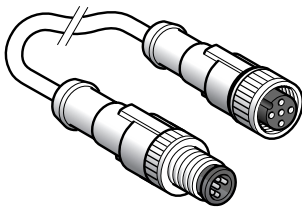
<b>Characteristics</b>		
Certifications	cULus	
Connection type	Male and female: screw threaded	
Cable material	PVC sheath, PP conductor insulation	
Degree of protection	IP 65, IP 67	
Ambient air temperature	Static cable	- 25... + 80°C
	Flexing cable	- 5... + 80°C
Conductor c.s.a.	3 x 0.25 mm <sup>2</sup>	
Cable diameter	4.6 mm	
Nominal voltage	~ 250 V, ~ 300 V	
Nominal current	3 A	
Insulation resistance	> 10 <sup>9</sup> Ω	
Contact resistance	≤ 5 mΩ	

<b>Dimensions</b>	
XZCRV1511040A1, XZCRV1511040A2	XZCRV1512040A1, XZCRV1512040A2

L = 1 or 2 m

<b>Connections</b>		
XZCRV1511040A1, XZCRV1511040A2, XZCRV1512040A1, XZCRV1512040A2		





M12, 4-pin, straight

M12, 4-pin, straight

M12, 4-pin, elbowed

4

**XZCRV1511041C1**

**XZCRV1511041C2**

**XZCRV1511041C5**

0.070 (L = 1 m)

0.110 (L = 2 m)

0.230 (L = 5 m)

**XZCRV1512041C1**

**XZCRV1512041C2**

**XZCRV1512041C5**

cULus

Male and female: screw threaded

PVC sheath, PP conductor insulation

IP 65, IP 67

- 25...+ 80°C

- 5...+ 80°C

4 x 0.25 mm<sup>2</sup>

4.6 mm

~ 250 V, ~ 300 V

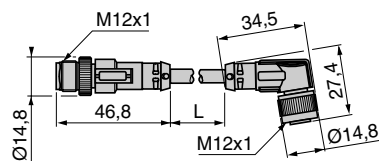
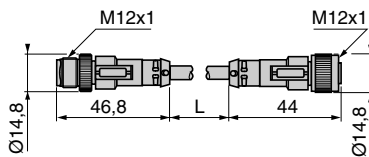
3 A

> 10<sup>9</sup> Ω

≤ 5 m.Ω

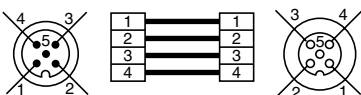
**XZCRV1511041C1, XZCRV1511041C2, XZCRV1511041C5**

**XZCRV1512041C1, XZCRV1512041C2, XZCRV1512041C5**



L = 1, 2 or 5 m

**XZCRV1511041C●, XZCRV1512041C●**

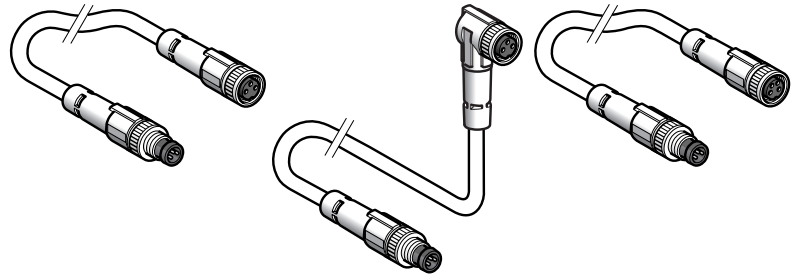


# Photo-electric sensors

Cabling accessories for XUM miniature sensors

Jumper cables M8-M8 and M8-M12

PUR cable



Male connector type	M8, 3-pin, straight		
Female connector type	M8, 3-pin, straight	M8, 3-pin, elbowed	M8, 4-pin, straight
Number of conductors	3	3	3

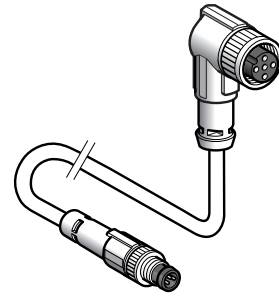
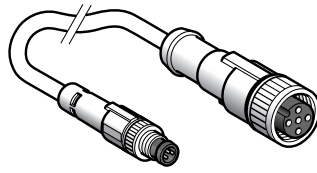
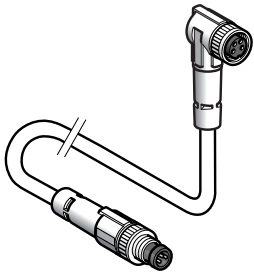
References				
PUR cable	L = 1 m	XZCR2705037R1	XZCR2706037R1	XZCR2709037S1
	L = 2 m	XZCR2705037R2	XZCR2706037R2	XZCR2709037S2
Weight (kg)	L = 1 m	0.065		
	L = 2 m	0.090		

Characteristics	
Certifications	cULus
Connection type	Male: screw threaded and clip. Female: screw threaded. Metal clamping ring.
Cable material	PUR sheath, PP conductor insulation
Degree of protection	IP 65, IP 67, IP 69K
Ambient air temperature	Static cable: - 35...+ 90°C Flexing cable: - 5...+ 90°C
Conductor c.s.a.	3 x 0.34 mm <sup>2</sup>
Cable diameter	5.2 mm
Nominal voltage	~ 60 V, ~ 45 V
Nominal current	4 A
Insulation resistance	> 10 <sup>9</sup> Ω
Contact resistance	≤ 5 m Ω

Dimensions	XZCR2705037R1, XZCR2705037R2	XZCR2706037R1, XZCR2706037R2	XZCR2709037S1, XZCR2709037S2

L = 1 or 2 m

Connections	XZCR2705037R1, XZCR2705037R2	XZCR2706037R1, XZCR2706037R2	XZCR2709037S1, XZCR2709037S2



M8, 3-pin, straight

M8, 4-pin, elbowed

M12, 5-pin, straight

M12, 5-pin, elbowed

3

3

3

**XZCR2710037S1**

**XZCR2711037T1**

**XZCR2712037T1**

**XZCR2710037S2**

**XZCR2711037T2**

**XZCR2712037T2**

0.065

0.065

0.065

0.090

0.093

0.093

cULus

Male: screw threaded and clip. Female: screw threaded. Metal clamping ring

PUR sheath, PP conductor insulation

IP 65, IP 67, IP 69K

- 35...+ 90°C

- 5...+ 90°C

3 x 0.34 mm<sup>2</sup>

5.2 mm

~ 60 V, ~ 45 V

4 A

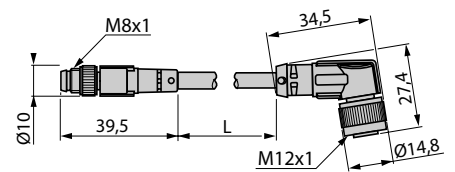
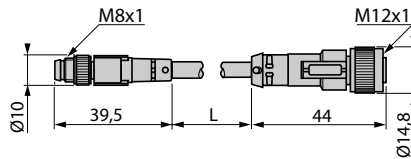
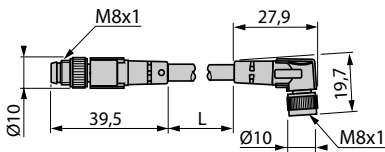
> 10<sup>9</sup> Ω

≤ 5 m Ω

**XZCR2710037S1, XZCR2710037S2**

**XZCR2711037T1, XZCR2711037T2**

**XZCR2712037T1, XZCR2712037T2**

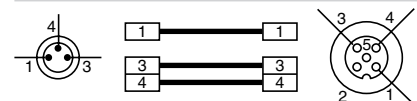
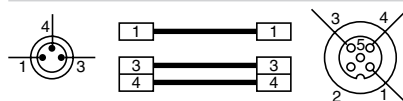


L = 1 or 2 m

**XZCR2710037S1, XZCR2710037S2**

**XZCR2711037T1, XZCR2711037T2**

**XZCR2712037T1, XZCR2712037T2**



<b>X</b>		
XUM2AKXBL2T	2	XZCPV0941L5 16
XUM2AKXBM8T	2	XZCPV1041L10 16
XUM2ANXBL2	2	XZCPV1041L2 16
XUM2ANXBL2R	2	XZCPV1041L5 16
XUM2ANXBM8	2	XZCPV1141L10 16
XUM2ANXBM8R	2	XZCPV1141L2 16
XUM2APXBL2	2	XZCPV1141L5 16
XUM2APXBL2R	2	XZCPV1241L10 16
XUM2APXBM8	2	XZCPV1241L2 16
XUM2APXBM8R	2	XZCPV1241L5 16
XUM4ANXBL2	4	XZCR2705037R1 20
XUM4ANXBM8	4	XZCR2705037R2 20
XUM4APXBL2	4	XZCR2706037R1 20
XUM4APXBM8	4	XZCR2706037R2 20
XUM5ANXBL2	4	XZCR2709037S1 20
XUM5ANXBM8	4	XZCR2709037S2 20
XUM5APXBL2	4	XZCR2710037S1 21
XUM5APXBM8	4	XZCR2710037S2 21
XUM6ANXBL2	4	XZCR2711037T1 21
XUM6ANXBM8	4	XZCR2711037T2 21
XUM6APXBL2	4	XZCR2712037T1 21
XUM6APXBM8	4	XZCR2712037T2 21
XUM8ANXBL2	3	XZCRV1511040A1 18
XUM8ANXBM8	3	XZCRV1511040A2 18
XUM8APXBL2	3	XZCRV1511041C1 19
XUM8APXBM8	3	XZCRV1511041C2 19
XUM9ANXBL2	3	XZCRV1511041C5 19
XUM9ANXBM8	3	XZCRV1512040A1 18
XUM9APXBL2	3	XZCRV1512040A2 18
XUM9APXBM8	3	XZCRV1512041C1 19
XUZA50	5	XZCRV1512041C2 19
XUZASM02	5	XZCRV1512041C5 19
XUZASM03	5	
XUZASM04	5	
XUZASM05	5	
XUZC100	3	
XUZC24	3	
XUZC39	3	
XUZC50	3	
XUZC60S11	3	
XUZDHM05	2	
XUZDHM10	2	
XUZDHM20	2	
XUZDRM05	2	
XUZDRM10	2	
XUZDRM20	2	
XUZDVM05	2	
XUZDVM10	2	
XUZDVM20	2	
XZCP0941L10	17	
XZCP0941L2	17	
XZCP0941L5	17	
XZCP1041L10	17	
XZCP1041L2	17	
XZCP1041L5	17	
XZCP1141L10	17	
XZCP1141L2	17	
XZCP1141L5	17	
XZCP1241L10	17	
XZCP1241L2	17	
XZCP1241L5	17	
XZCPV0941L10	16	
XZCPV0941L2	16	