

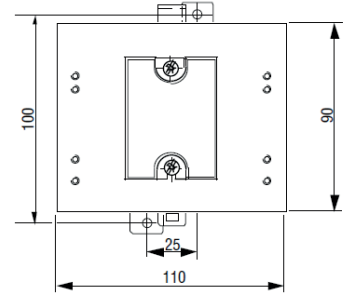
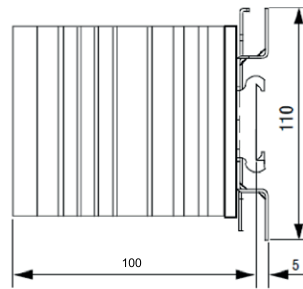
**HEATSINK & MOUNTING KIT**

Selection guide			
Description	Dimensions	Weight	Part Number
Heatsink, 0.9 °C/W	110 x 100 x 90 mm	1458 g	<b>26532752N</b>
Heatsink, 1.1 °C/W	89,8 x 81 x 98 mm	485 g	<b>26532753N</b>
Heatsink, 1.2 °C/W	100 x 40 x 100 mm	547 g	<b>26532754N</b>
Heatsink, 1.75 °C/W	45 x 73,5 x 100 mm	355 g	<b>26532755N</b>
Heatsink, 2.2 °C/W	45 x 73,5 x 100 mm	290 g	<b>26532756N</b>
Heatsink screw mounting kit, for SSRs with Hockey Puck shape	100 x 60 x 10 mm	40 g	<b>26532001</b>
Heatsink screw mounting kit, for 3-phase SSRs	100 x 60 x 10 mm	40 g	<b>26532002</b>

**HEATSINK, 0.9 °C/W**

Part Number: **26532752N**

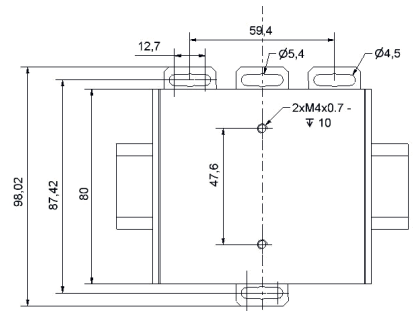
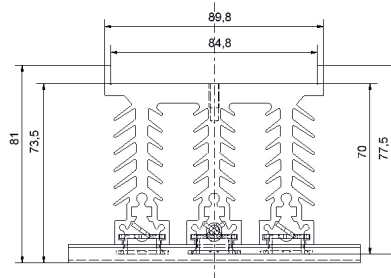
Dimensions: **110 x 100 x 90 mm** | Weight: **1458 g**



**HEATSINK, 1.1 °C/W**

Part Number: **26532753N**

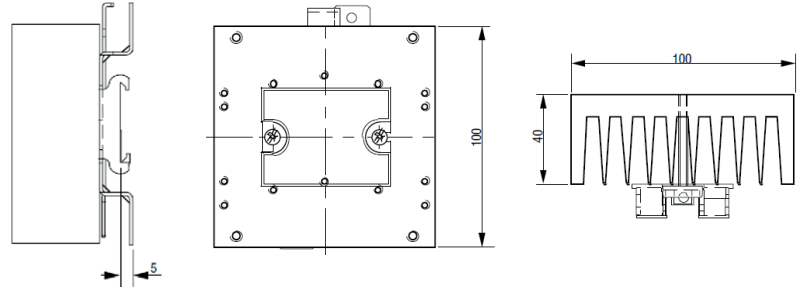
Dimensions: **89,8 x 81 x 98 mm** | Weight: **485 g**



**HEATSINK, 1.2 °C/W**

Part Number: **26532754N**

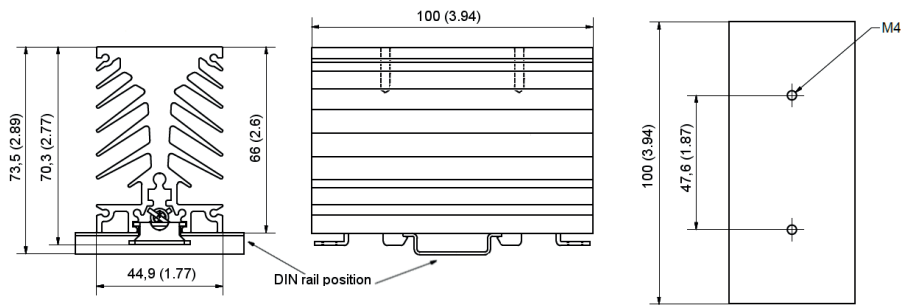
Dimensions: **100 x 40 x 100 mm** | Weight: **547 g**



**HEATSINK, 1.75 °C/W**

Part Number: **26532755N**

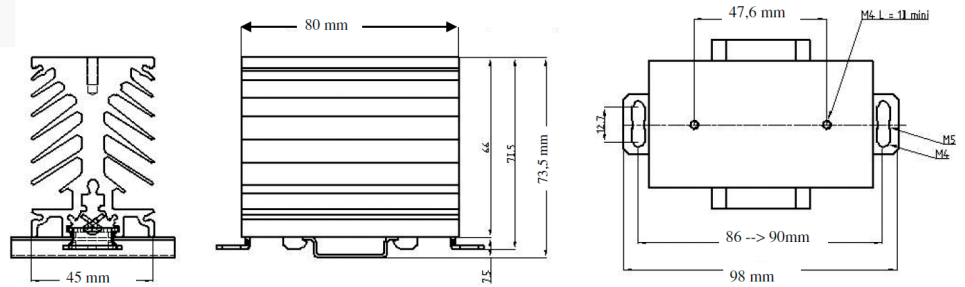
Dimensions: **45 x 73.5 x 100 mm** | Weight: **355 g**



**HEATSINK, 2.2 °C/W**

Part Number: **26532756N**

Dimensions: **45 x 73.5 x 100 mm** | Weight: **290 g**



**Heatsink screw mounting kit, for SSRs with Hockey Puck shape**

Part Number: **26532001**



M4x20 (5W3)



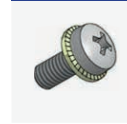
M4x12



M3x8



M4x10



Q7x7 M4



**Heatsink screw mounting kit, for 3-phase SSRs**

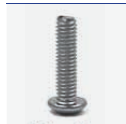
Part Number: **26532002**



M4x12



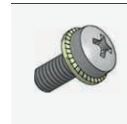
M4x16



Ø4x10



12x8x2 Ø4.3



M5x10



M4



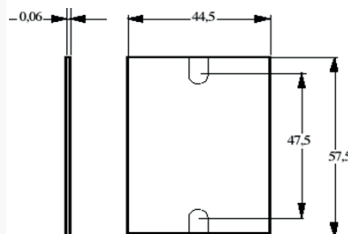
**THERMAL PAD & GREASE**

Selection guide			
Description	Dimensions	Weight	Part Number
Thermal Pad, Pre-cut	44.5 x 57.5 x 0.06 mm	5 g	<b>26532720N</b>
Thermal Pad, Sticker	36.8 x 36.8 x 0.06 mm	5 g	<b>26532722N</b>
Thermal Grease	130 x 55 x 25 mm	70 g	<b>26532003</b>
ID Tag	16 x 8 x 1 mm	1 g	<b>26532004</b>

**THERMAL PAD | PRE-CUT**

Part Number: **26532720N**

Dimensions: **44.5 x 57.5 x 0.06 mm** | Weight: **6 g**

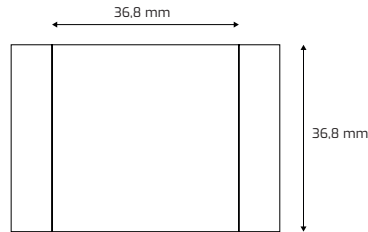
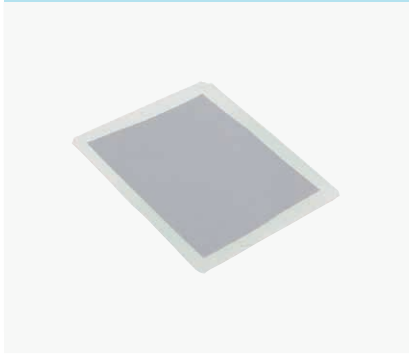


Thickness	0.003 " (0.076mm)
Density	2.1 g/cc
Phase change softening temperature	52 °C
Maximum use temperature	200 °C
Thermal Impedance	
@ 5 psi	0.03 °C-in <sup>2</sup> /W
@34.5 Kpa	0.193 °C-cm <sup>2</sup> /W

**THERMAL PAD | STICKER**

Part Number: **26532722N**

Dimensions: **36.8 x 36.8 x 0.06 mm** | Weight: **5 g**



**THERMAL GREASE**

Part Number: **26532003**

Dimensions: **130 x 55 x 25 mm** | Weight: **70 g**

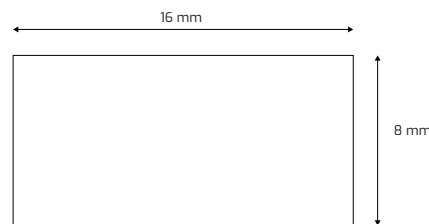


Color	White
Base	Blend of synthetic fluids
Thermo-conductive Component	Powdered metal oxides
Thermal Conductivity	0.9 W/m.k
Density @20 °C	2.04 g/cm <sup>3</sup>
Temperature range	-50 °C → +170 °C
Weight Loss after 168 hours @ 170 °C	0.98 %
Permittivity @ 10 <sup>6</sup> Hz:	4.2
Specific Resistance	1 x 10 <sup>14</sup> Ω/cm
Dielectric Strength	42 kV/mm
Penetration	210-250

**ID TAG**

Part Number: **26532004N**

Dimensions: **16 x 8 x 1 mm** | Weight: **1 g**



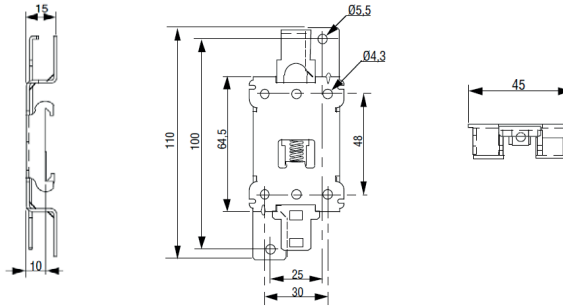
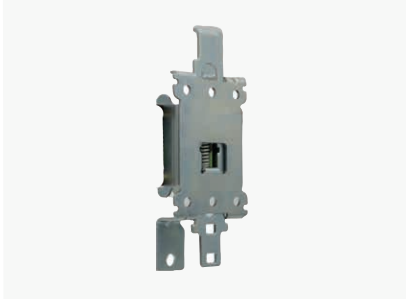
For GNR, GNRS, GNR3, GN3, GND

## ADAPTOR

Selection guide			
Description	Dimensions	Weight	Part Number
DIN Rail Adaptor for SSRs with Hockey Puck shape	110 x 45 x 15 mm	65 g	<b>26532764N</b>

Part Number: **26532764N**

Dimensions: **110 x 45 x 15 mm** | Weight: **65 g**



## CONNECTORS

Selection guide			
Description	Dimensions	Weight	Part Number
GN2, 4-Pin, 4 pole 90° & 270° set-screw connector	23 x 19 x 27 mm	13 g	<b>26532005</b>
GN2, 4-Pin, 4 pole 270° set-screw connector	15 x 12 x 20 mm	7 g	<b>26532006</b>

Part Number: **26532005N**

Dimensions: **23 x 19 x 27 mm** | Weight: **13 g**

Part Number: **26532006N**

Dimensions: **15 x 12 x 20 mm** | Weight: **7 g**

