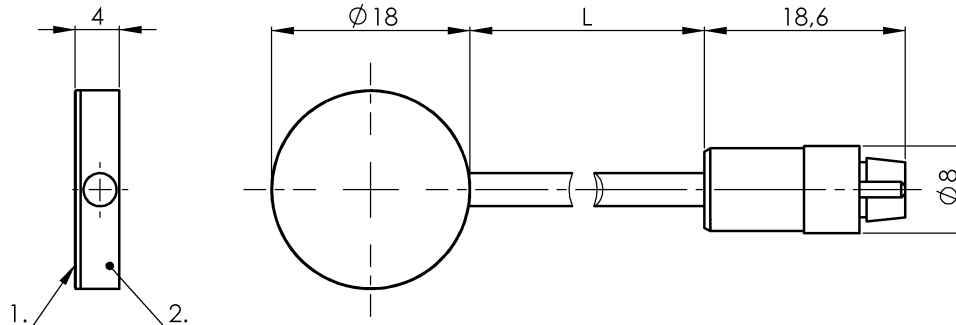


SK-5-18/4-B-VA/PTFE CS001C



1) Sensing surface 2) Housing



Electrical connection

Cable length	2 m
Connection	Special connector-Special connector
Connection type	Connector with cable, 2.00 m, PUR
Polarity reversal protected	not relevant
Short-circuit protection	not relevant

Electrical data

Hysteresis H max. (% of Sr)	15.0 %
MTTF (40 °C)	1813 a
Operating voltage U_b	4...8 VDC
Rated insulation voltage U_i	75 V DC
Repeat accuracy max. (% of Sr)	2.0 %
Switching frequency	100 Hz
Utilization category	DC -13

Environmental conditions

Ambient temperature	-30...80 °C
Ambient temperature max.	80 °C
Ambient temperature min.	-30 °C
Protection type IEC 60529	IP66

Functional safety

Diagnostic coverage	0 %
Functional safety	no

General data

Approval/Conformity	CE cULus
Basic standard	IEC 60947-5-2
Scope of delivery	Nut (2x)
Sensitivity	adjustable on base unit

Material

Cover material	POM
Housing material	Stainless steel (1.4301)
Material cover	POM
Material jacket	PUR
Material sensing surface	PTFE

Mechanical data

Dimension	Ø 18 x 4 mm
Installation	for flush mounting
Size	D18.0
Tightening torque	6 Nm

Output/Interface

Interface	Special interface
Switching output	see signal amplifier (BAE)

Range/Distance

Measuring range	1...5 mm
Range	1...5 mm
Rated operating distance S_n	5 mm
Ripple max. (% of U_e)	10 %