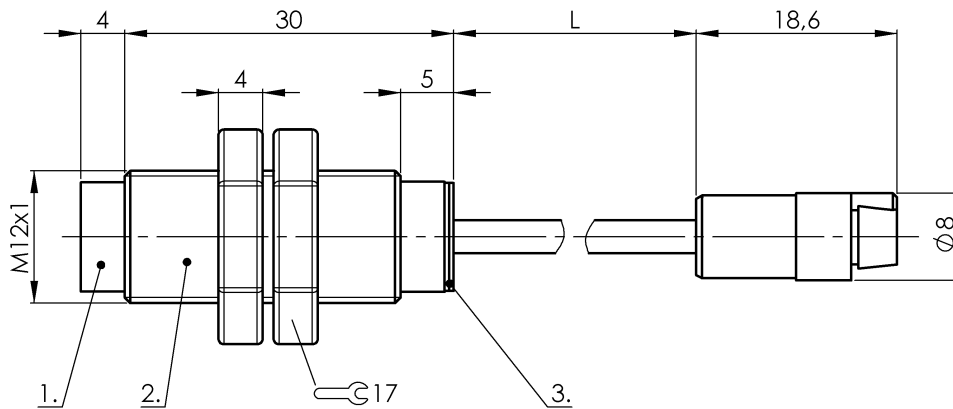


# SK-8-M12-NB-VA/PTFE

## CS0019



1) Sensing surface 2) Housing 3) Cover



### Electrical connection

Cable length	2 m
Connection	Special connector-Special connector
Connection type	Connector with cable, 2.00 m, PUR
Polarity reversal protected	not relevant
Short-circuit protection	not relevant

### Electrical data

Hysteresis H max. (% of Sr)	10.0 %
MTTF (40 °C)	1813 a
Operating voltage $U_b$	4...8 VDC
Rated insulation voltage $U_i$	75 V DC
Repeat accuracy max. (% of Sr)	2.0 %
Switching frequency	100 Hz
Utilization category	DC -13

### Environmental conditions

Ambient temperature	-30...80 °C
Ambient temperature max.	80 °C
Ambient temperature min.	-30 °C
Protection type IEC 60529	IP67

### Functional safety

Diagnostic coverage	0 %
Functional safety	no

### General data

Approval/Conformity	CE cULus
Basic standard	IEC 60947-5-2
Scope of delivery	Nut (2x)
Sensitivity	adjustable on base unit

### Material

Cover material	POM
Housing material	Stainless steel (1.4301)
Material cover	POM
Material jacket	PUR
Material sensing surface	PTFE

### Mechanical data

Dimension	undefined
Installation	non-flush
Size	M12x1
Tightening torque	40 Nm

### Output/Interface

Interface	Special interface
Switching output	see signal amplifier (BAE)

### Range/Distance

Measuring range	1...8 mm
Range	1...8 mm
Rated operating distance $S_n$	8 mm
Ripple max. (% of $U_e$ )	10 %