

# XXA18B1AM12

Ultrasonic sensors XX, ultrasonic sensor cyl.  
90 deg M18, Sn=1 m, analog 4 20 mA, SYNC,  
connector M12



## Main

|                               |   |
|-------------------------------|---|
| Range of product              | Telemecanique Ultrasonic sensors XX                                   |
| Sensor type                   | Ultrasonic sensor   |
| Series name                   | General purpose   |
| Sensor name                   | XXA   |
| Sensor design                 | Cylindrical M18   |
| Detection system              | Diffuse (with 90° head)   |
| [Sn] nominal sensing distance | 1 M adjustable with remote teach push-button<br>1 m software with kit |
| Material                      | Metal   |
| Type of output signal         | Analogue  |
| Wiring technique              | 5-wire  |
| Analogue output function      | 4...20 mA   |
| [Us] rated supply voltage     | 12...24 V DC with reverse polarity protection                         |
| Electrical connection         | Male connector M12 5 pins   |
| [Sd] sensing range            | 0.105...1 m   |
| IP degree of protection       | IP65 conforming to IEC 60529<br>IP67                                  |

## Complementary

|   |  |
|---|--|
| Enclosure material                                | Nickel plated brass  |
| Front material                                    | Epoxy<br>Rubber<br>Resin   |
| Supply voltage limits                             | 10...30 V DC   |
| Function available                                | With synchronisation mode<br>Software configurable                                 |
| [Sa] assured operating distance                   | 0.105...1 m (teach mode)   |
| Blind zone  | 105 mm   |
| Transmission frequency                            | 200 kHz  |
| Repeat accuracy                                   | 0.1 %  |
| Deviation angle from 90° of object to be detected | -10...10 °   |
| Minimum size of detected object                   | Cylinder diameter 1 mm at 600 mm   |
| Status LED  | Output state: 1 LED (yellow)<br>Echo state: 1 LED (green)                          |
| Current consumption                               | 30 mA  |
| Maximum switching capacity                        | 250 Ohm with 12 V DC overload and short-circuit protection<br>850 Ohm with 24 V DC |
| Setting-up  | Teach mode<br>Configurator software  |
| Maximum delay first up                            | 180 ms   |
| Maximum delay recovery                            | 100 ms   |
| Marking   | CE   |
| Threaded length                                   | 45 mm  |
| Height  | 18 mm  |
| Width   | 18 mm  |

The information provided in this documentation contains general descriptions and/or technical characteristics of the performance of the products contained herein. This documentation is not intended as a substitute for and is not to be used for determining suitability or reliability of these products for specific user applications. It is the duty of any such user or integrator to perform the appropriate and complete risk analysis, evaluation and testing of the products with respect to the relevant specific application or use thereof. Neither Schneider Electric Industries SAS nor any of its affiliates or subsidiaries shall be responsible or liable for misuse of the information contained herein.

|            |          |
|------------|----------|
| Depth      | 79 mm    |
| Net weight | 0.055 kg |

## Environment

|                                       |  |
|---------------------------------------|--|
| Standards                             | EN/IEC 60947-5-2<br>CSA C22.2 No 14<br>UL 508              |
| Product certifications                | RCM<br>E2<br>EAC<br>CULus<br>Ecolab                        |
| Ambient air temperature for operation | -25...70 °C  |
| Ambient air temperature for storage   | -40...80 °C  |
| Vibration resistance                  | +/-1 mm conforming to IEC 60068-2-6 (f = 10...55 Hz)       |
| Shock resistance                      | 30 gn in all 3 axes for 11 ms conforming to IEC 60068-2-27 |
| Resistance to electrostatic discharge | 8 kV level 4 conforming to IEC 61000-4-2                   |
| Resistance to electromagnetic fields  | 10 V/m level 3 conforming to IEC 61000-4-3                 |
| Resistance to fast transients         | 1 kV level 3 conforming to IEC 61000-4-4                   |

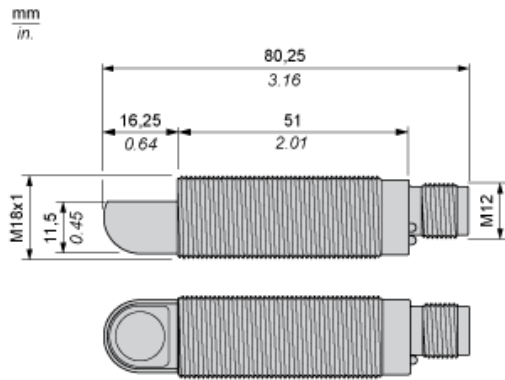
## Packing Units

|                              |          |
|------------------------------|----------|
| Unit Type of Package 1       | PCE      |
| Number of Units in Package 1 | 1        |
| Package 1 Weight             | 49.986 g |
| Package 1 Height             | 4.1 cm   |
| Package 1 width              | 6.4 cm   |
| Package 1 Length             | 9.4 cm   |
| Unit Type of Package 2       | CAR      |
| Number of Units in Package 2 | 1        |
| Package 2 Weight             | 50 g     |
| Package 2 Height             | 4.1 cm   |
| Package 2 width              | 6.4 cm   |
| Package 2 Length             | 9.4 cm   |
| Unit Type of Package 3       | S01      |
| Number of Units in Package 3 | 5        |
| Package 3 Weight             | 597 g    |
| Package 3 Height             | 15 cm    |
| Package 3 width              | 15 cm    |
| Package 3 Length             | 40 cm    |

## Offer Sustainability

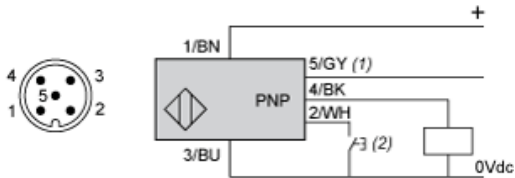
|                            |   |
|----------------------------|---|
| Sustainable offer status   | Green Premium product   |
| REACH Regulation           | <a href="#">REACH Declaration</a>   |
| EU RoHS Directive          | Pro-active compliance (Product out of EU RoHS legal scope) <a href="#">EU RoHS Declaration</a>  |
| Mercury free               | Yes   |
| RoHS exemption information | <a href="#">Yes</a>   |
| Environmental Disclosure   | <a href="#">Product Environmental Profile</a>   |
| California proposition 65  | WARNING: This product can expose you to chemicals including: Diisononyl phthalate (DINP), which is known to the State of California to cause cancer, and Di-isodecyl phthalate (DIDP), which is known to the State of California to cause birth defects or other reproductive harm. For more information go to <a href="http://www.P65Warnings.ca.gov">www.P65Warnings.ca.gov</a> |

Dimensions



Connections

Connector Wiring



- (1) : Synchronization
- (2) : External setting pushbutton or XXZPB100 remote teach pushbutton.

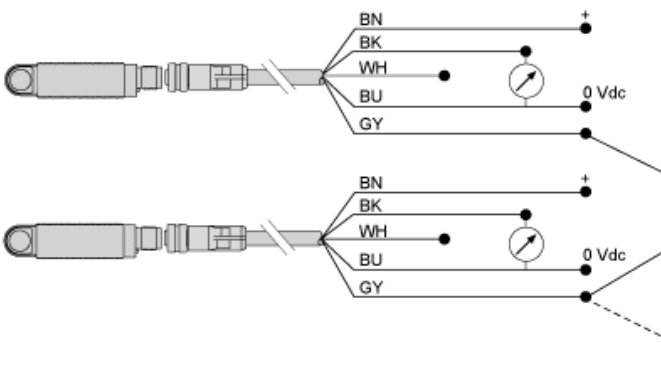
| Pin number | Wire color | Description     |
|------------|------------|-----------------|
| 1          | BN: Brown  | +12...24VDC     |
| 2          | WH: White  | Input teach     |
| 3          | BU: Blue   | 0 VDC           |
| 4          | BK: Black  | Output          |
| 5          | GY: Grey   | Synchronization |

Wiring Scheme



- (1) : Synchronization
- 4-20 mA: For 12 VDC, load  $\leq 250 \Omega$
- mA: For 24 VDC, load  $\leq 850 \Omega$

Wiring for the Synchronization Function (Side by Side Application)

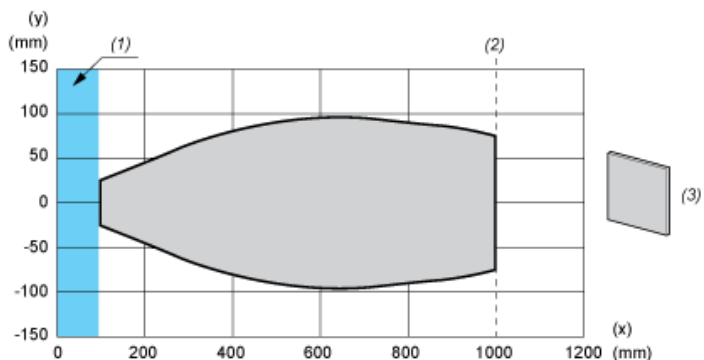


- BN : Brown
- WH : White
- BU : Blue
- BK : Black
- GY : Grey

NB: To enable synchronization between several sensors, all of the wires of pin no.5 (Grey) must be electrically connected together. A maximum of 8 sensors can be synchronized. To enable "Multiplexer" function for the sensors, use the XX Configuration Software. Without synchronization or multiplexing, the sensors must be at least 50 cm away from each other in order to avoid mutual interference.

Performance Curves

Detection Curve with 100 x 100 mm / 3.94 x 3.94 in. Square Target



- (x) Target distance
- (y) Detection limit
- (1) : Blind zone: 105 mm
- (2) : Sn max.
- (3) : 100 x 100 mm / 3.94 x 3.94 in. stainless steel plate

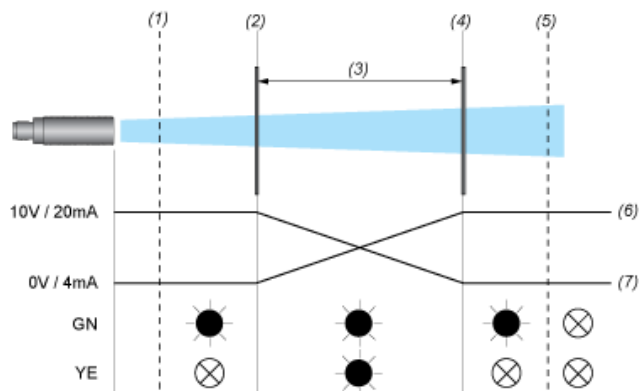
Detection Curve with Round Bar



- (x) Target distance
- (y) Detection limit
- (1) : Blind zone: 105 mm
- (2) : Sn max.
- (3) : Ø 10 mm / 0.394 in. stainless steel cylinder
- (4) : Ø 25 mm / 0.984 in. stainless steel cylinder

Operating Diagram

Near and Far Limits Setting with Teach Procedure



- (1) : Blind zone
- (2) : Near limit
- (3) : Sensing window
- (4) : Far limit
- (5) : Sn max
- (6) : Inverse
- (7) : Direct
- (8) : ON
- (9) : OFF
- GN : Green LED
- YE : Yellow LED