



Main

| | |
|-------------------------------|---|
| Range of product | Telemecanique Ultrasonic sensors XX |
| Sensor type | Ultrasonic sensor |
| Series name | General purpose |
| Sensor name | XXS |
| Sensor design | Cylindrical M30 |
| Detection system | Diffuse |
| [Sn] nominal sensing distance | 2 M adjustable with remote teach push-button 2 m software with kit |
| Material | Metal |
| Type of output signal | Discrete |
| Discrete output function | 1 NO or 1 NC programmable |
| Wiring technique | 5-wire |
| Discrete output type | PNP |
| [Us] rated supply voltage | 12...24 V DC with reverse polarity protection |
| Electrical connection | Male connector M12 5 pins |
| [Sd] sensing range | 0.155...2 m |
| IP degree of protection | IP65 conforming to IEC 60529 IP67 |

Complementary

| | |
|---|---|
| Enclosure material | Nickel plated brass |
| Front material | Epoxy Rubber Resin |
| Supply voltage limits | 10...30 V DC |
| Function available | With synchronisation mode Software configurable |
| [Sa] assured operating distance | 0.155...2 m (teach mode) |
| Blind zone | 155 mm |
| Transmission frequency | 120 kHz |
| Repeat accuracy | 0.1 % |
| Deviation angle from 90° of object to be detected | -12...12 ° |
| Minimum size of detected object | Cylinder diameter 1 mm at 1.4 m |
| Status LED | Output state: 1 LED (yellow) Echo state: 1 LED (green) |
| Current consumption | 65 mA |
| Maximum switching current | 100 mA with overload and short-circuit protection |
| Maximum voltage drop | 2 V |
| Switching frequency | 5.5 Hz |
| Setting-up | Teach mode Configurator software |
| Maximum delay first up | 150 ms |
| Maximum delay response | 90 ms |
| Maximum delay recovery | 90 ms |
| Marking | CE |
| Threaded length | 75.75 mm |
| Height | 30 mm |
| Width | 30 mm |

| | |
|------------|-----------|
| Depth | 102.15 mm |
| Net weight | 0.19 kg |

Environment

| | |
|---------------------------------------|--|
| Standards | EN/IEC 60947-5-2 CSA C22.2 No 14 UL 508 |
| Product certifications | CULus E2 EAC RCM Ecolab |
| Ambient air temperature for operation | -25...70 °C |
| Ambient air temperature for storage | -40...80 °C |
| Vibration resistance | +/-1 mm conforming to IEC 60068-2-6 (f = 10...55 Hz) |
| Shock resistance | 30 gn in all 3 axes for 11 ms conforming to IEC 60068-2-27 |
| Resistance to electrostatic discharge | 8 kV conforming to IEC 61000-4-2 |
| Resistance to electromagnetic fields | 10 V/m level 3 conforming to IEC 61000-4-3 |
| Resistance to fast transients | 2 kV conforming to IEC 61000-4-4 |

Packing Units

| | |
|------------------------------|--------|
| Unit Type of Package 1 | PCE |
| Number of Units in Package 1 | 1 |
| Package 1 Weight | 228 g |
| Package 1 Height | 7.8 cm |
| Package 1 width | 5.2 cm |
| Package 1 Length | 13 cm |

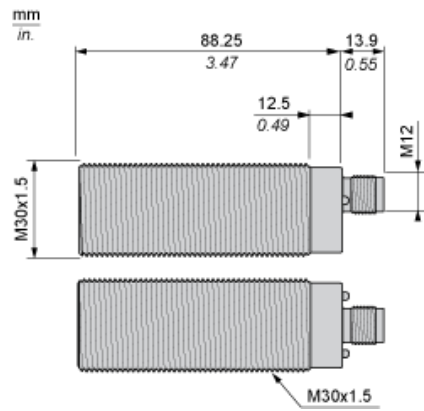
Offer Sustainability

| | |
|----------------------------|---|
| Sustainable offer status | Green Premium product |
| EU RoHS Directive | Pro-active compliance (Product out of EU RoHS legal scope) EU RoHS Declaration |
| Mercury free | Yes |
| RoHS exemption information | Yes |
| Environmental Disclosure | Product Environmental Profile |
| California proposition 65 | WARNING: This product can expose you to chemicals including: Diisononyl phthalate (DINP), which is known to the State of California to cause cancer, and Di-isodecyl phthalate (DIDP), which is known to the State of California to cause birth defects or other reproductive harm. For more information go to www.P65Warnings.ca.gov |

Contractual warranty

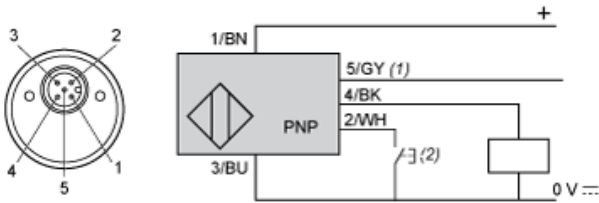
| | |
|----------|-----------|
| Warranty | 18 months |
|----------|-----------|

Dimensions



Connections

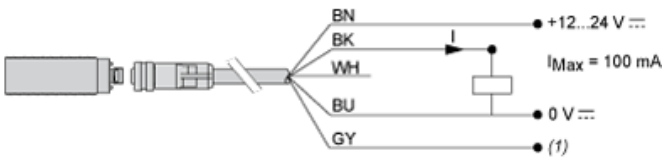
Connector Wiring



- (1) : Synchronization
- (2) : External setting pushbutton or XXZPB100 remote teach pushbutton.

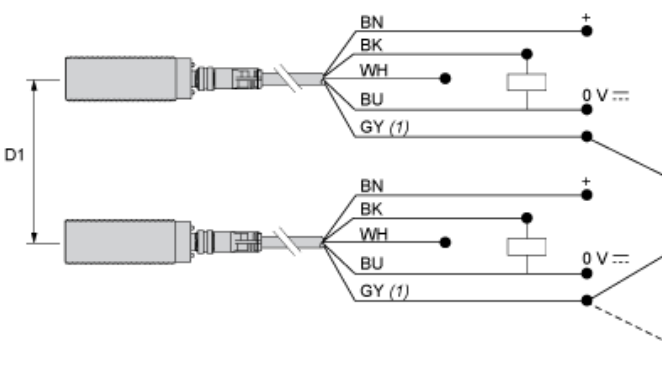
| Pin number | Wire color | Description |
|------------|------------|-----------------|
| 1 | BN: Brown | +12...24VDC |
| 2 | WH: White | Input teach |
| 3 | BU: Blue | 0 VDC |
| 4 | BK: Black | Output |
| 5 | GY: Grey | Synchronization |

Wiring Scheme. Digital Output (NO or NC)



- (1) : Synchronization

Wiring for the Synchronization Function (Side by Side Application)

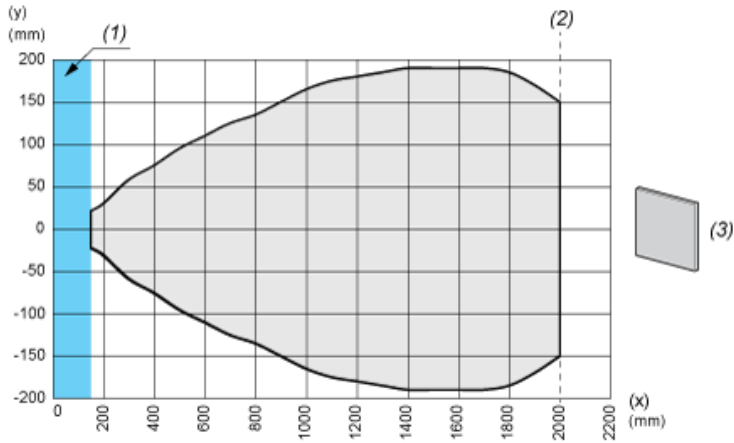


- (1) : Synchronization
- D1 : 1/8 Sn
- BN : Brown
- WH : White
- BU : Blue
- BK : Black
- GY : Grey

NOTE: Up to 8 sensors can be synchronized to operate side by side by electrically connecting all pin no.5 (grey) wires together. To synchronize more than 8 sensors, a PLC output can be used (the pins no.5 must be simultaneously driven by the rising edge of a pulse).

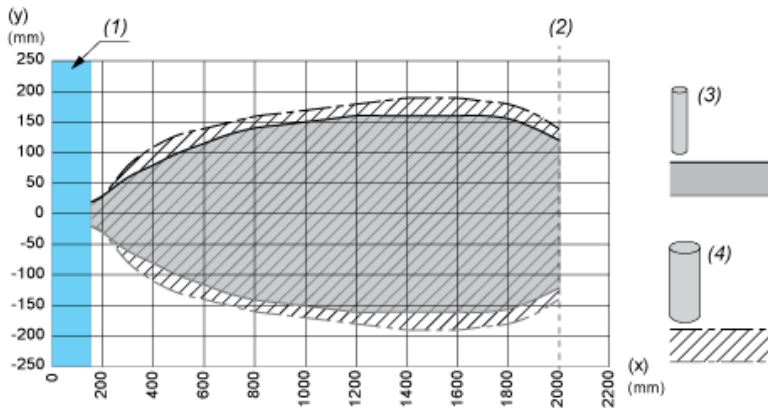
Performance Curves

Detection Curve with 100 x 100 mm / 3.94 x 3.94 inches Square Target



- (X) : Target distance
- (Y) : Detection limit
- (1) : Blind zone: 155 mm / 6.10 inches
- (2) : Sn max.
- (3) : 100 x 100 mm / 3.94 x 3.94 inches stainless steel plate

Detection Curve with Round Bar



- (X) : Target distance
- (Y) : Detection limit
- (1) : Blind zone: 155 mm / 6.10 inches
- (2) : Sn max.
- (3) : Ø 10 mm / 0.394 inches stainless steel cylinder
- (4) : Ø 25 mm / 0.984 inches stainless steel cylinder